

FOR OFFICIAL USE

--	--	--	--	--	--

F

KU PS

Total Mark

--	--

3700/401

NATIONAL
QUALIFICATIONS
2007

MONDAY, 21 MAY
9.00 AM – 10.00 AM

SCIENCE
STANDARD GRADE
Foundation Level

Fill in these boxes and read what is printed below.

Full name of centre

Town

Forename(s)

Surname

Date of birth

Day Month Year

Scottish candidate number

Number of seat

--	--	--	--	--	--	--	--	--	--

--	--	--	--	--	--	--	--	--	--

- 1 Answer as many questions as you can.
- 2 Read the whole of each question carefully before you answer it.
- 3 Write your answers in the spaces provided. Showing working may help in some questions.
- 4 Before leaving the examination room you must give this book to the invigilator. If you do not, you may lose all the marks for this paper.



Marks

	KU	PS
3.		
4.		

3. Some information about light bulbs is shown below.

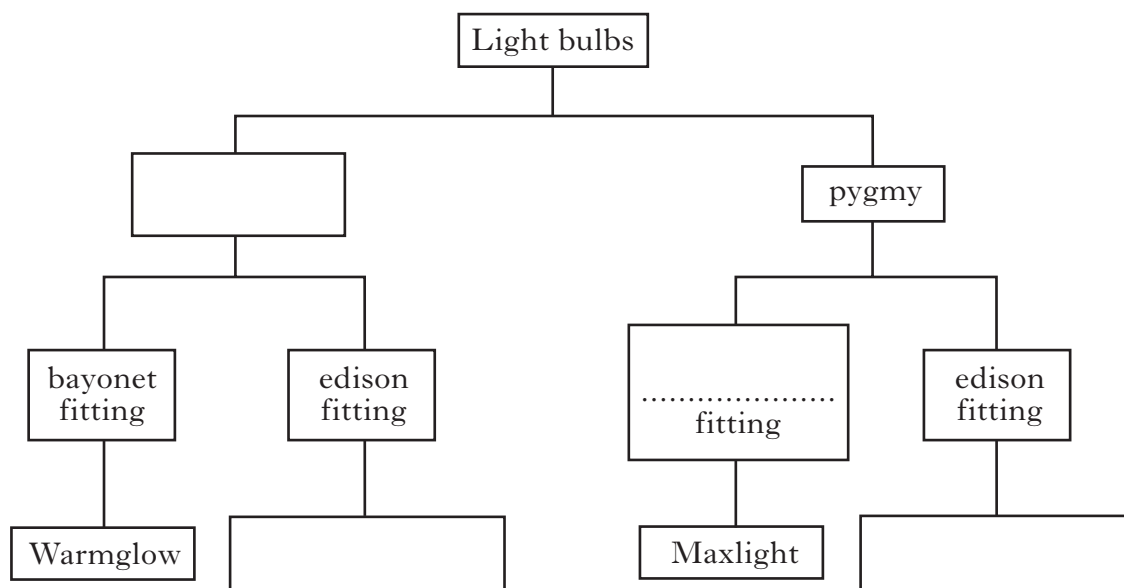
Warmglow and Softlight are candle bulbs.

Maxlight and Superspot are pygmy bulbs.

Warmglow has a bayonet fitting as does Maxlight.

Softlight and Superspot have edison fittings.

Use this information to complete the key below.



2

4. Which box shows **two** basic needs of human beings?

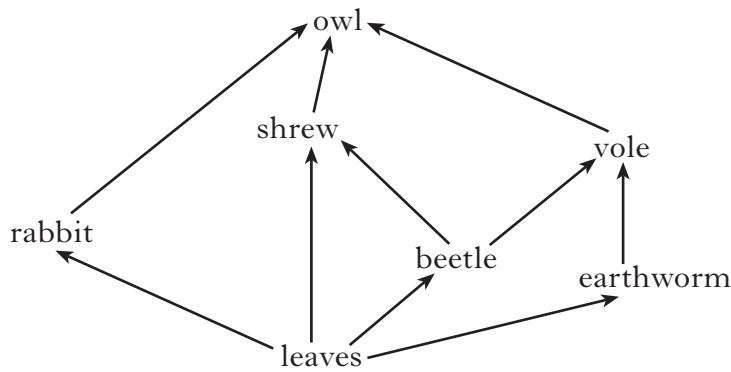
1	air and water	2	food and work
3	work and shelter	4	money and warmth

Box number

1

[Turn over

8. A food web from a woodland habitat is shown below.



(a) Where do the leaves get their energy from?

.....

1

(b) The owl hunts and kills rabbits for food.

What word is used to describe an animal that hunts and kills other animals for food?

.....

1

(c) An **omnivore** is an animal which eats both plants and animals.

Name the omnivore in this food web.

.....

1

(d) **Using the food web shown above**, write down a food chain containing four organisms.

..... → → →

1

Marks

KU	PS

<i>Marks</i>	KU	PS
1		
1		
1		
1		

9. Use the information in the passage to answer the questions.

Traditional windmills use the power of the wind to turn mill stones and drive water pumps. Modern wind turbines also use the power of the wind. However, a modern wind turbine turns a generator which produces electricity.

The electricity produced by wind turbines goes into the National Grid. The National Grid then carries the electricity to homes and industries throughout Britain.

A 600 kW wind turbine can supply the electricity needed for 400 households. Although wind speeds are always changing, there is usually enough wind to operate the turbine for 70% of the time. A wind turbine is designed to last for about 20 years. However, moving parts such as blades and gearboxes must be regularly maintained to prevent the wind turbine from breaking down.

(a) What were traditional windmills used for?

.....

(b) What happens to the electricity after it goes into the National Grid?

.....

(c) How many households can a 600 kW wind turbine supply?

.....

(d) Name **two** parts of a wind turbine that must be regularly maintained.

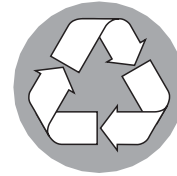
..... and

[Turn over

Marks

KU	PS

10. Special bins are used to separate household rubbish for **recycling**.



(a) What does **recycling** mean?

.....

1

(b) **Glass** is one type of waste that can be recycled.

(i) Name one other **type** of waste that can be recycled.

.....

1

(ii) A household collected 96 glass bottles in 12 weeks.

How many bottles were collected, on average, each week?

Space for working

Answer

1

11. A company is choosing a material for covering chairs.



The material must be flame-proofed so that it is safe.

Give **one** other factor that the company might consider when choosing which material to use.

.....

.....

1

Marks

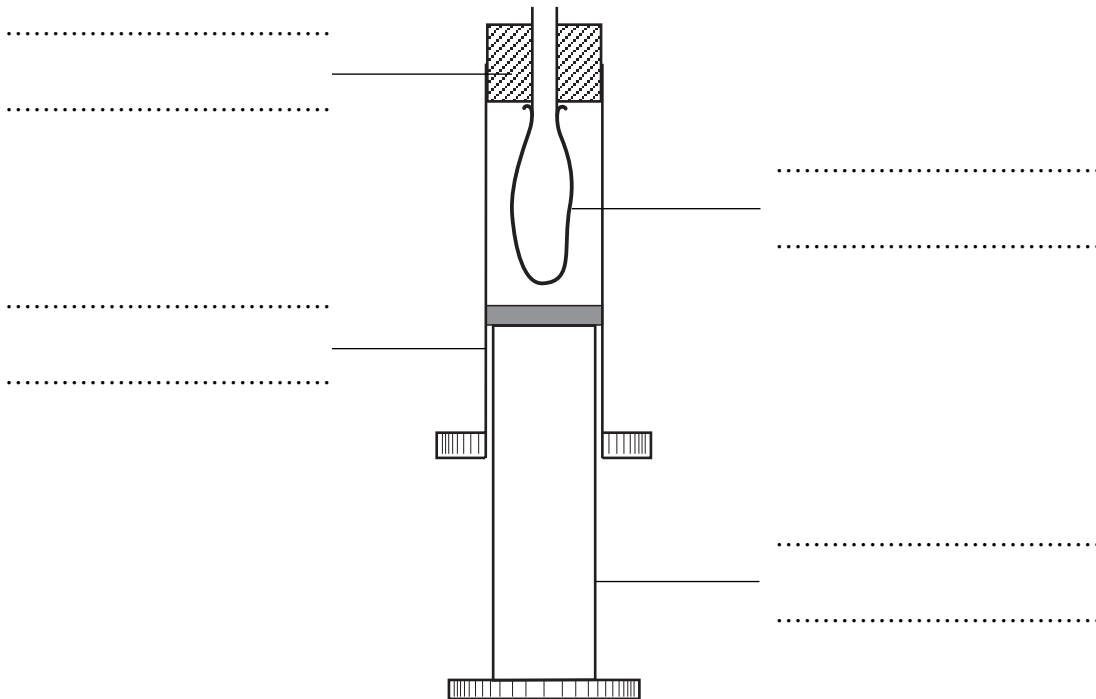
KU	PS

12. The table describes the parts of a model breathing system.

<i>Part of breathing system</i>	<i>Part of model</i>
Ribs	Syringe barrel
Windpipe	Cork with tube
Lungs	Rubber balloon
Diaphragm	Syringe plunger

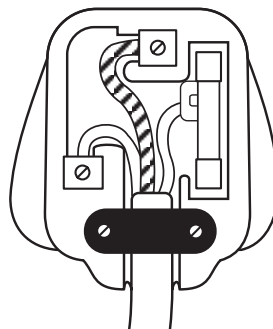
When the syringe plunger is pulled out, air is drawn into the rubber balloon.

Use the information in the table to label the **parts of the model**.



2

13. An electrical plug has a live wire, a neutral wire and an earth wire.



(a) Which of the wires has brown insulation?

..... 1

(b) The earth wire in the plug acts as a safety device.

Name **one** other safety device in a plug.

..... 1

14. A group of students investigated the number of caddis fly larvae living in a river.
They counted the number of caddis fly larvae in water samples from five points in the river. They measured the speed of the river at each point.
Their results are shown in the table below.

<i>Speed of river (cm/s)</i>	50	100	150	200	250
<i>Number of caddis fly larvae</i>	15	20	50	70	80

- (a) Complete the conclusion below by circling the correct answer.

As the speed of the river increases, the number of caddis fly larvae

increases
decreases
stays the same

- (b) Water speed is an environmental factor which affects where animals and plants live.

Name **one** other environmental factor that may affect where animals and plants live.

.....

Marks

KU	PS
1	
	1

15. The box below shows the names of different objects.

steel bridge	nylon carpet	gold ring
glass vase	wooden fence	aluminium ladder

(a) Which of the objects is **most** likely to be damaged by

(i) insect pests?

.....

1

(ii) corrosion?

.....

1

(b) Which of the objects is most likely to be protected against damage by

(i) anodising?

.....

1

(ii) polystyrene packaging?

.....

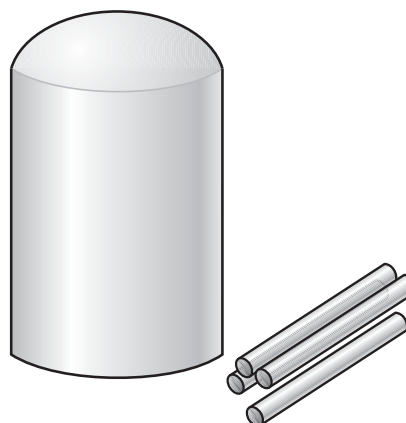
1

16. A plumber fitted a 12 kg water tank in a house.

He connected 4 copper pipes to the tank. Each pipe had a mass of 2 kg.

What is the **total mass** of the water tank and the four pipes?

Space for working



Answer kg

2

Marks

KU	PS

[Turn over

Marks

KU	PS

17. Starlings are birds which are often found living in rough grass farmland areas.

The table shows how the number of starlings has changed over 25 years.

Year	Number of starlings (millions)	Area of rough grass farmland (hectares)
1970	3.6	1 300 000
1975	3.4	1 000 000
1980	3.2	700 000
1985	2.8	110 000
1990	2.3	100 000
1995	1.9	90 000

Use the **information in the table** to answer the questions.

(a) Give a reason for the decrease in the number of starlings between 1970 and 1995.

..... **1**

(b) Predict the number of starlings when the area of rough grass farmland was 850 000 hectares.

..... millions **1**

18. Cigarette smoke contains substances which are harmful to your health.

(a) Tick (✓) the **three** harmful substances in tobacco smoke.

nicotine		tar	
water vapour		carbon monoxide	
oxygen		nitrogen	

1

(b) Tick (✓) **two** health problems which can be caused by smoking.

anorexia		heart disease	
bronchitis		influenza	
measles		mumps	

1

19. The transport industry is the biggest user of aluminium in the world. It uses 26% of the aluminium produced. 22% of the world's aluminium production is used by the packaging industry. The construction industry uses 20% of the aluminium produced, while the electrical engineering industry uses 9%.

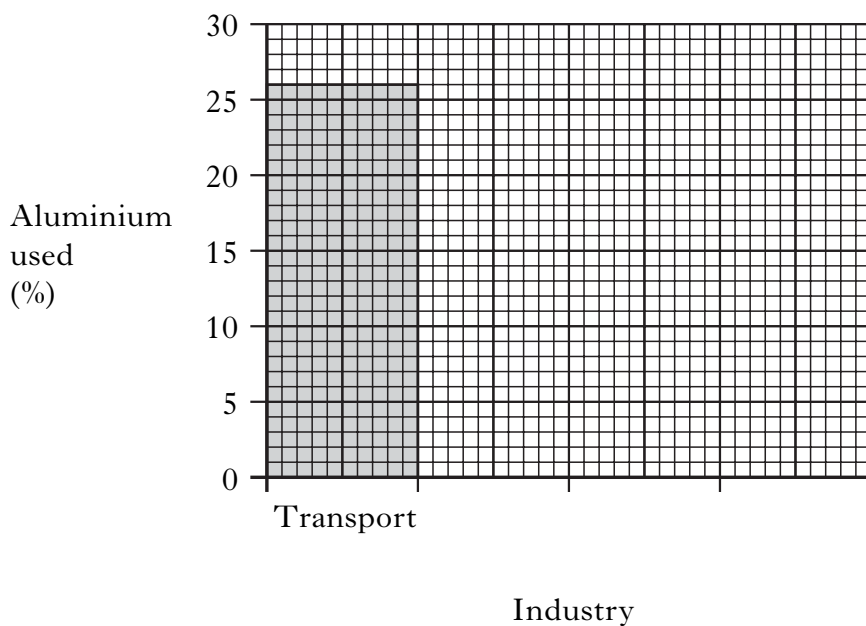
Marks

KU	PS
2	
2	

(a) Use this information to complete the table below.

<i>Industry</i>	<i>Aluminium used (%)</i>

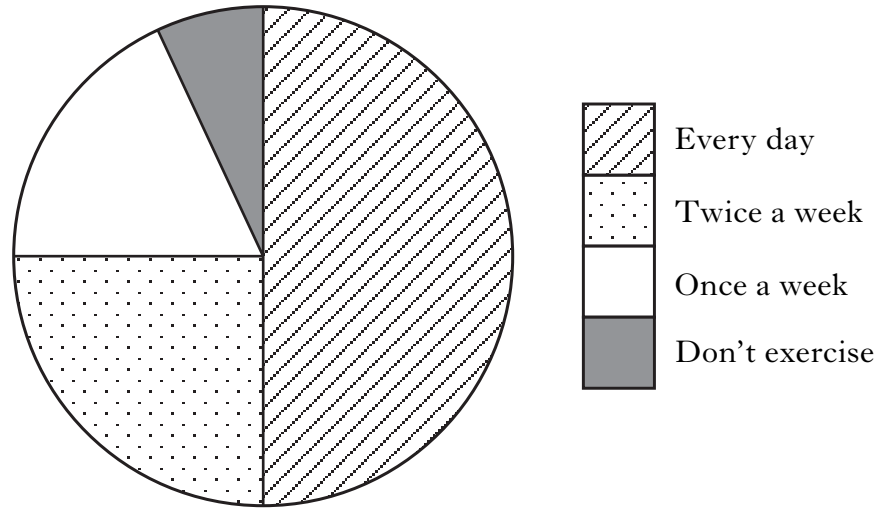
(b) Use this information to complete the bar graph.
(Additional graph paper, if required, can be found on page 19.)



2

[Turn over

20. In a survey, pupils were asked how often they exercise.
The results are shown in the pie chart.



Marks	DO NOT WRITE IN THIS MARGIN	
	KU	PS
1		
1		

(a) What percentage of pupils exercise every day?
.....%

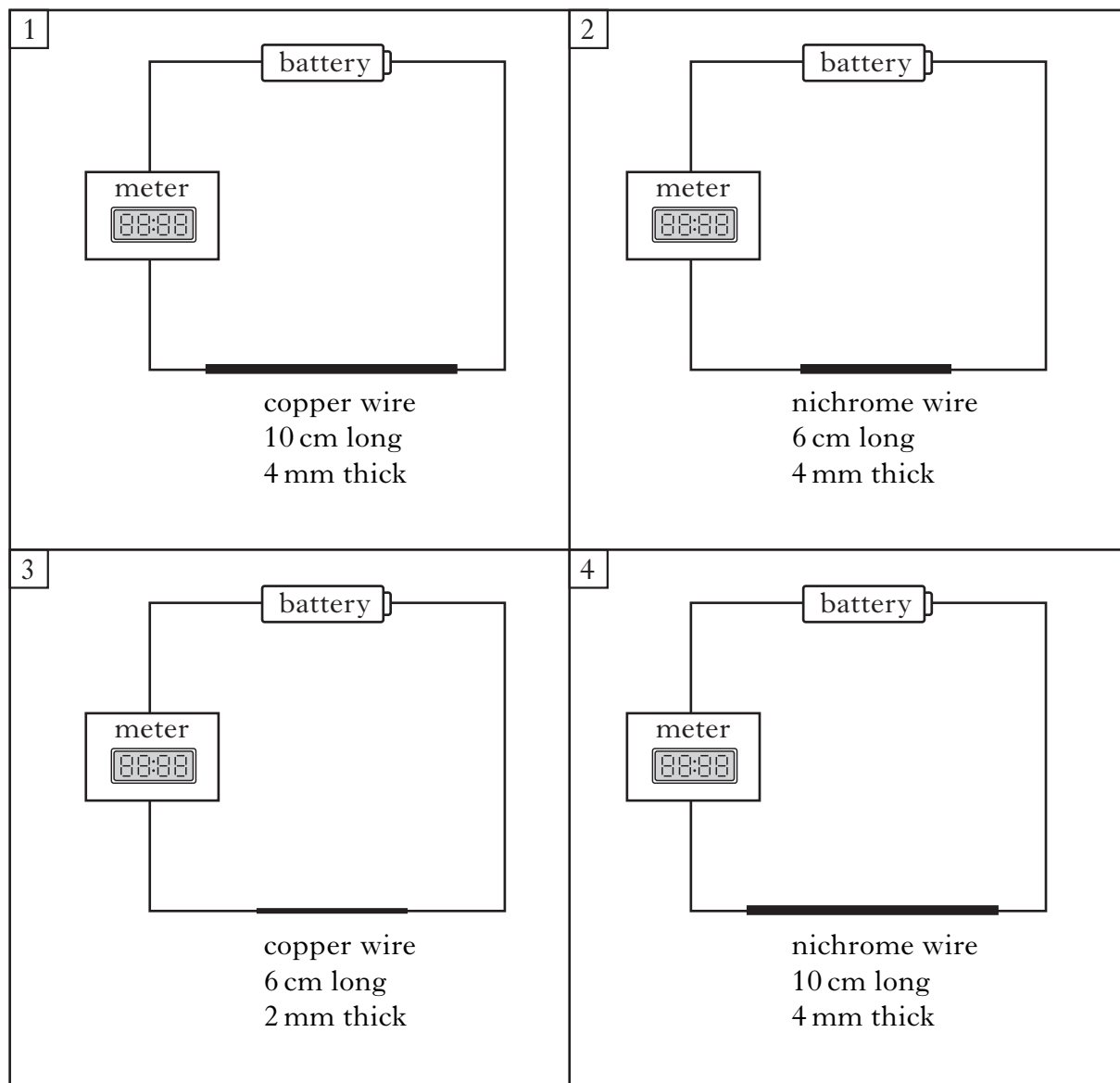
(b) There were 60 pupils in the survey.
How many pupils exercise twice a week?

Space for working

Answer pupils

21. Susan compared the current that flowed in different wires. She set up the circuits shown below.

Marks



(a) Susan wanted to find out if more current flowed in copper wire or nichrome wire.

Which **two** circuits should she choose for a fair test?

Box numbers and 1

(b) What was Susan trying to find out if she compared circuits 2 and 4?

..... 1

KU	PS

[Turn over

Marks

KU	PS
----	----

22. The box below shows some properties of materials.

thermal conductivity	electrical conductivity
strength	resistance to corrosion

Use the properties to complete the table below.

<i>Material</i>	<i>Use of material</i>	<i>Property of material</i>
Steel	Girders	
Copper	Wiring	
Bronze	Ship propellers	
Aluminium	Saucepan	

2

23. Match up each statement with the **correct** temperature.

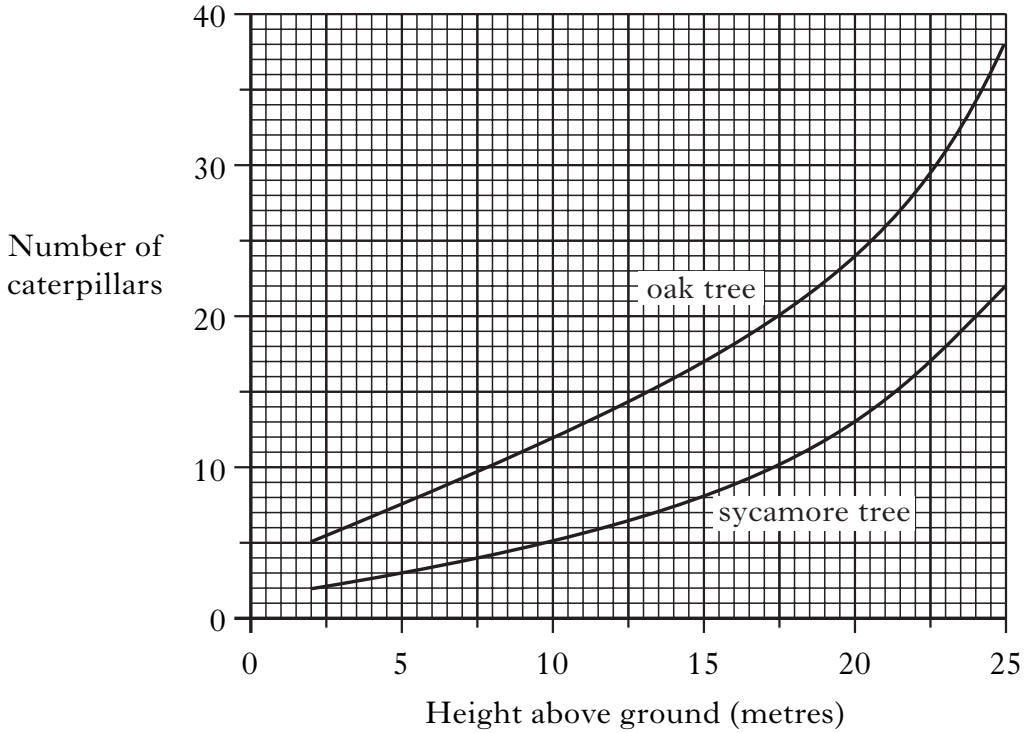
One has been done for you.

- A person with a fever 24 °C
- A sunny day in Scotland 29 °C
- A person with hypothermia 37 °C
- Normal body temperature 41 °C

2

24. Students took samples of leaves at different heights from an **oak tree** and a **sycamore tree**.
They recorded the number of caterpillars in each sample.
Their results are shown in the graph.

Marks



- (a) How many caterpillars were found in the leaf sample from the **oak tree** at a height of 15 metres?

.....

1

- (b) In a leaf sample collected at a height of 24 metres, there are 20 caterpillars.

What **type of tree** did the sample come from?

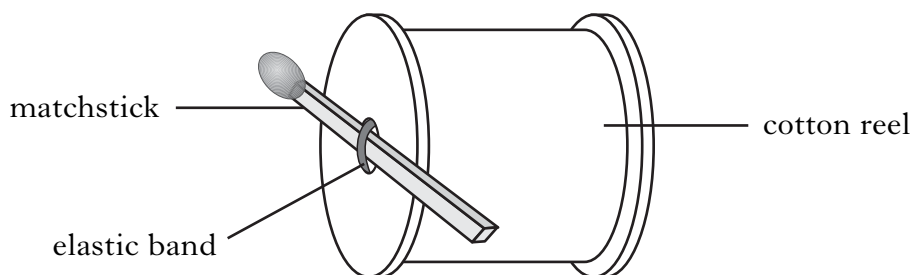
.....

1

[Turn over

	KU	PS

25. Edward made a model tank from a cotton reel, an elastic band and a matchstick. Marks



When he turned the matchstick and let go, the tank moved forward.

He investigated how far the tank travelled using different numbers of turns of the matchstick and different thicknesses of elastic band.

His results are shown below.

<i>Number of turns of the matchstick</i>	<i>Thickness of elastic band</i>	<i>Distance travelled (cm)</i>
5	thick	35
10	thick	69
15	thick	101
5	thin	23
10	thin	44
15	thin	69

Draw **two** conclusions from these results.

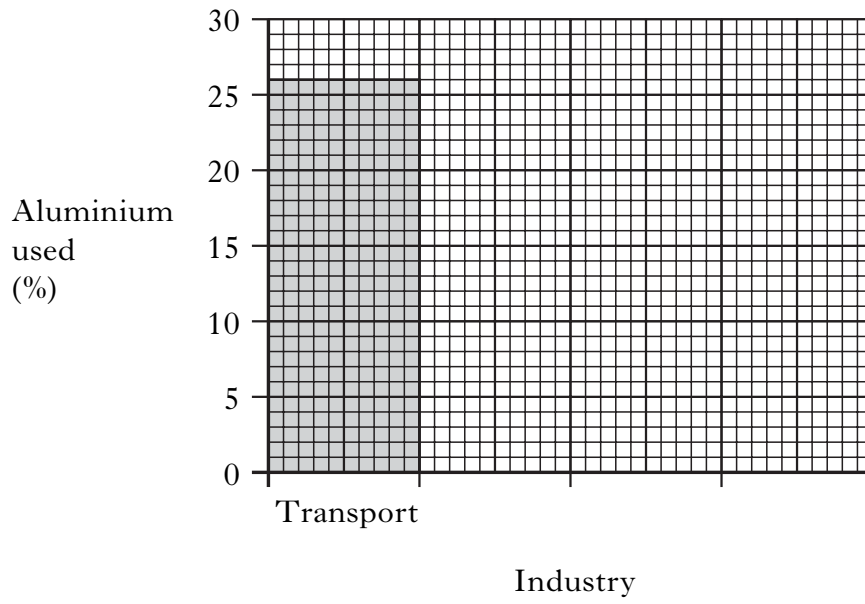
- 1
-
- 2
-

2

[END OF QUESTION PAPER]

KU	PS

ADDITIONAL GRAPH PAPER FOR USE IN QUESTION 19(b)



[BLANK PAGE]