

CANDIDATE  
NAME

CENTRE  
NUMBER

--	--	--	--	--

CANDIDATE  
NUMBER

--	--	--	--



**PHYSICS**

**0972/51**

Paper 5 Practical Test

**May/June 2018**

**1 hour 15 minutes**

Candidates answer on the Question Paper.

Additional Materials: As listed in the Confidential Instructions

**READ THESE INSTRUCTIONS FIRST**

Write your Centre number, candidate number and name in the spaces at the top of the page.

Write in dark blue or black pen.

You may use an HB pencil for any diagrams or graphs.

Do not use staples, paper clips, glue or correction fluid.

**DO NOT WRITE IN ANY BARCODES.**

Answer **all** questions.

You are advised to spend about 20 minutes on each of questions 1 to 3, and 15 minutes on question 4.

Electronic calculators may be used.

You may lose marks if you do not show your working or if you do not use appropriate units.

At the end of the examination, fasten all your work securely together.

The number of marks is given in brackets [ ] at the end of each question or part question.

For Examiner's Use	
1	
2	
3	
4	
<b>Total</b>	

This document consists of **10** printed pages and **2** blank pages.

- 1 In this experiment, you will determine the acceleration of free fall  $g$  using a pendulum. Carry out the following instructions, referring to Fig. 1.1 and Fig. 1.2.

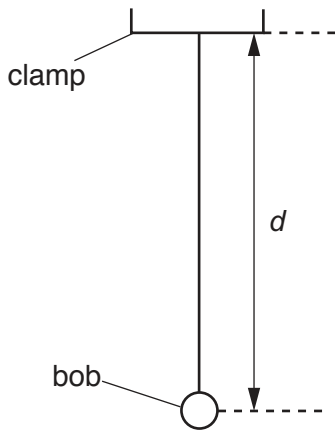


Fig. 1.1

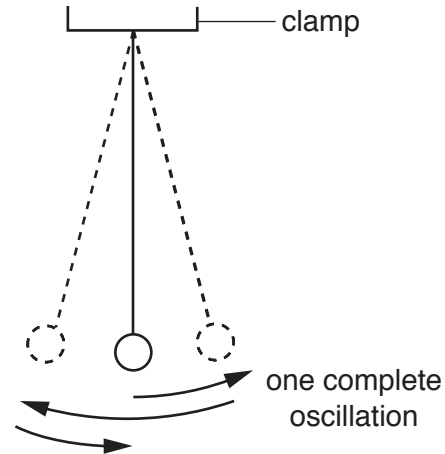


Fig. 1.2

A pendulum has been set up for you as shown in Fig. 1.1.

- (a) Adjust the length of the pendulum until the distance  $d$  measured to the centre of the bob is 50.0 cm.

Displace the bob slightly and release it so that it swings. Fig. 1.2 shows one complete oscillation of the pendulum.

- (i) Measure the time  $t$  for 10 complete oscillations.

$$t = \dots\dots\dots [1]$$

- (ii) Calculate the period  $T$  of the pendulum. The period is the time for one complete oscillation.

$$T = \dots\dots\dots [1]$$

- (iii) Calculate  $T^2$ .

$$T^2 = \dots\dots\dots [2]$$

- (iv) Calculate the acceleration of free fall  $g$  using the equation  $g = \frac{20}{T^2}$ .

$$g = \dots\dots\dots [1]$$

(b) Adjust the pendulum until the distance  $d$  measured to the centre of the bob is 100.0 cm.

(i) Repeat the procedure in (a)(i), (a)(ii) and (a)(iii).

$t =$  .....

$T =$  .....

$T^2 =$  ..... [1]

(ii) Calculate the acceleration of free fall  $g$  using the equation  $g = \frac{40}{T^2}$ .

$g =$  ..... [2]

(c) A student states that repeating the experiment improves the reliability of the value obtained for  $g$ .

Suggest **two** changes that you would make to improve the reliability. The stopwatch cannot be changed.

1. ....

.....

2. ....

.....

[2]

(d) State **one** precaution that you took in this experiment in order to obtain accurate readings.

.....

..... [1]

[Total: 11]

2 In this experiment, you will investigate resistance.

The circuit shown in Fig. 2.1 has been set up for you.

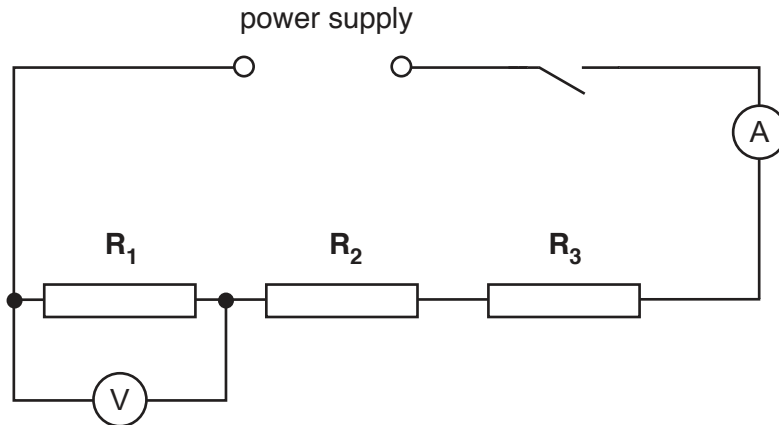


Fig. 2.1

- (a) (i) Switch on. Measure and record the potential difference  $V_1$  across the resistor  $R_1$  and the current  $I$  in the circuit. Switch off.

$$V_1 = \dots\dots\dots$$

$$I = \dots\dots\dots$$

[2]

- (ii) Calculate the resistance of the resistor  $R_1$  using the equation  $R_1 = \frac{V_1}{I}$ .

$$R_1 = \dots\dots\dots [1]$$

- (b) Disconnect the voltmeter.

Connect the voltmeter across the resistor  $R_2$ . Switch on.

- (i) Measure and record the potential difference  $V_2$  across the resistor  $R_2$ . Switch off.

$$V_2 = \dots\dots\dots$$

- (ii) Calculate the resistance of the resistor  $R_2$  using the equation  $R_2 = \frac{V_2}{I}$ .

$$R_2 = \dots\dots\dots [1]$$

(c) Disconnect the voltmeter.

Connect the voltmeter across the resistor  $R_3$ . Switch on.

(i) Measure and record the potential difference  $V_3$  across the resistor  $R_3$ . Switch off.

$$V_3 = \dots\dots\dots$$

(ii) Calculate the resistance of the resistor  $R_3$  using the equation  $R_3 = \frac{V_3}{I}$ .

$$R_3 = \dots\dots\dots [1]$$

(iii) Calculate the resistance  $R$  of resistors  $R_1$ ,  $R_2$  and  $R_3$  connected in series, using the equation  $R = R_1 + R_2 + R_3$ . Give your answer to a suitable number of significant figures for this experiment.

$$R = \dots\dots\dots [1]$$

(d) State whether your results suggest that the three resistors have the same value of resistance. Justify your statement by reference to your results.

statement .....

justification .....

.....

.....

[2]

(e) Complete the circuit diagram in Fig. 2.2 to show:

- the three resistors connected in parallel
- the voltmeter connected to measure the potential difference across the resistors
- a variable resistor connected to control the current in all three resistors.

You are **not** required to set up this circuit.

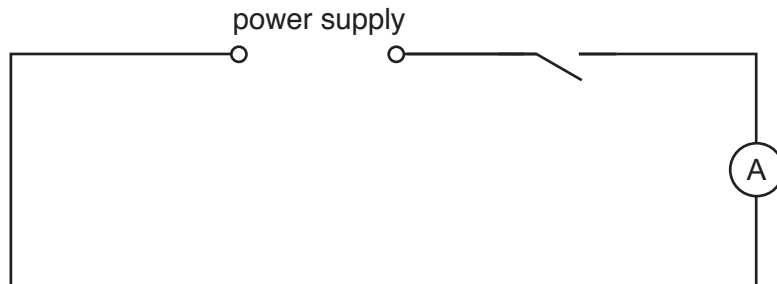


Fig. 2.2

[3]

[Total: 11]



3 In this experiment, you will determine the focal length  $f$  of a lens.

Carry out the following instructions referring to Fig. 3.1.

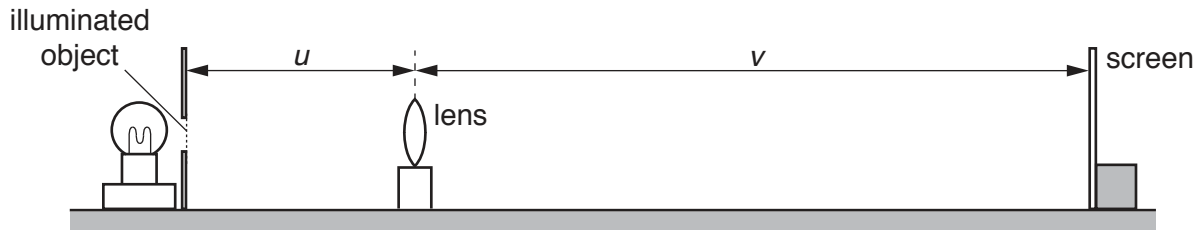


Fig. 3.1

- (a)
- Place the screen a distance  $D = 70.0$  cm from the illuminated object.
  - Place the lens between the object and the screen so that the lens is very close to the screen.
  - Move the lens slowly away from the screen until a clearly focused image is formed on the screen.
- (i)
- Measure, and record in Table 3.1, the distance  $u$  between the centre of the lens and the illuminated object.
  - Measure, and record in the table, the distance  $v$  between the centre of the lens and the screen.
- (ii) Calculate the product  $uv$ . Record your answer in the table.
- (iii) Repeat the procedure using values for  $D$  of 75.0 cm, 80.0 cm, 85.0 cm and 90.0 cm.

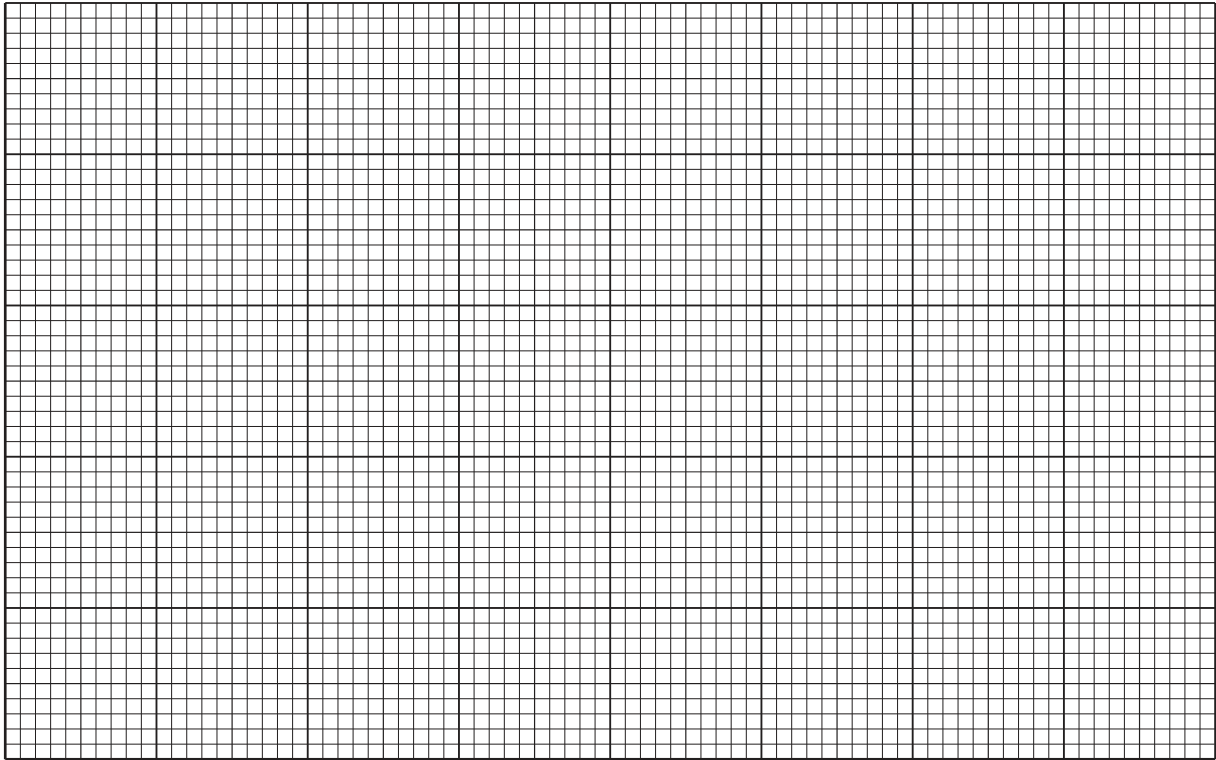
Table 3.1

$D/\text{cm}$	$u/\text{cm}$	$v/\text{cm}$	$uv/\text{cm}^2$
70.0			
75.0			
80.0			
85.0			
90.0			

[3]



(b) Plot a graph of  $uv/\text{cm}^2$  ( $y$ -axis) against  $D/\text{cm}$  ( $x$ -axis). You do **not** need to start your axes at the origin (0,0).



[4]

(c) The focal length  $f$  of the lens is numerically equal to the gradient of the line.

Determine the gradient  $G$  of the line. Show clearly on the graph how you obtained the necessary information.

$G = \dots\dots\dots$  [2]

(d) Suggest **two** difficulties in this experiment when trying to obtain accurate readings.

1. ....  
.....
2. ....  
.....

[2]

[Total: 11]

- 4 A student is investigating the effect of double-walled insulation on the rate of cooling of hot water in a copper container. The student places the copper container inside a larger metal container. He is investigating the effect of the size of the air gap between the copper container and larger metal containers.

Plan an experiment to investigate the effect of the size of the air gap between the copper container and larger metal containers on the rate of cooling of hot water.

The following apparatus is available:

- a copper container
- a number of metal containers of different diameters (all larger than the copper container)
- a thermometer
- a stopwatch
- a measuring cylinder
- a supply of hot water.

You can also use other apparatus and materials that are usually available in a school laboratory.

You are **not** required to carry out this investigation.

In your plan, you should:

- explain briefly how you would carry out the investigation
- state the key variables that you would control
- draw a table, or tables, with column headings, to show how you would display your readings (you are not required to enter any readings in the table)
- explain how you would use your readings to reach a conclusion.

You may draw a diagram if it helps your explanation.

.....  
.....



**BLANK PAGE**

---

Permission to reproduce items where third-party owned material protected by copyright is included has been sought and cleared where possible. Every reasonable effort has been made by the publisher (UCLES) to trace copyright holders, but if any items requiring clearance have unwittingly been included, the publisher will be pleased to make amends at the earliest possible opportunity.

To avoid the issue of disclosure of answer-related information to candidates, all copyright acknowledgements are reproduced online in the Cambridge International Examinations Copyright Acknowledgements Booklet. This is produced for each series of examinations and is freely available to download at [www.cie.org.uk](http://www.cie.org.uk) after the live examination series.

Cambridge International Examinations is part of the Cambridge Assessment Group. Cambridge Assessment is the brand name of University of Cambridge Local Examinations Syndicate (UCLES), which is itself a department of the University of Cambridge.