



Cambridge IGCSE™

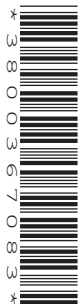
CANDIDATE
NAME

CENTRE
NUMBER

--	--	--	--	--

CANDIDATE
NUMBER

--	--	--	--



PHYSICS

0625/32

Paper 3 Theory (Core)

May/June 2021

1 hour 15 minutes

You must answer on the question paper.

No additional materials are needed.

INSTRUCTIONS

- Answer **all** questions.
- Use a black or dark blue pen. You may use an HB pencil for any diagrams or graphs.
- Write your name, centre number and candidate number in the boxes at the top of the page.
- Write your answer to each question in the space provided.
- Do **not** use an erasable pen or correction fluid.
- Do **not** write on any bar codes.
- You may use a calculator.
- You should show all your working and use appropriate units.
- Take the weight of 1.0 kg to be 10 N (acceleration of free fall = 10 m/s^2).

INFORMATION

- The total mark for this paper is 80.
- The number of marks for each question or part question is shown in brackets [].

This document has **16** pages. Any blank pages are indicated.

1 Fig. 1.1 shows the core of a transformer. It is made from thin sheets of iron.

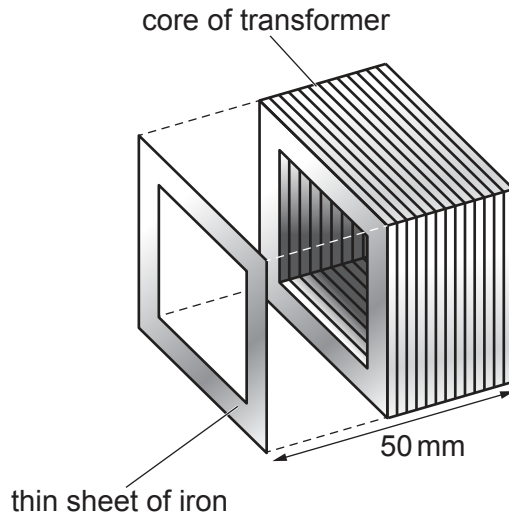


Fig. 1.1 (not to scale)

- (a) There are 200 sheets of iron in the core of the transformer. The thickness of the core is 50 mm.
Calculate the average thickness of **one** sheet of iron.

average thickness of one sheet = mm [3]

- (b) The density of the iron in the core is 7.65 g/cm^3 . The mass of the core is 1377 g.
Calculate the volume of the core.

volume = cm^3 [3]

- (c) State the name of a device used to measure mass.

..... [1]

[Total: 7]

2 Fig. 2.1 shows how the speed of a car varies between 0 and 60.0 s.

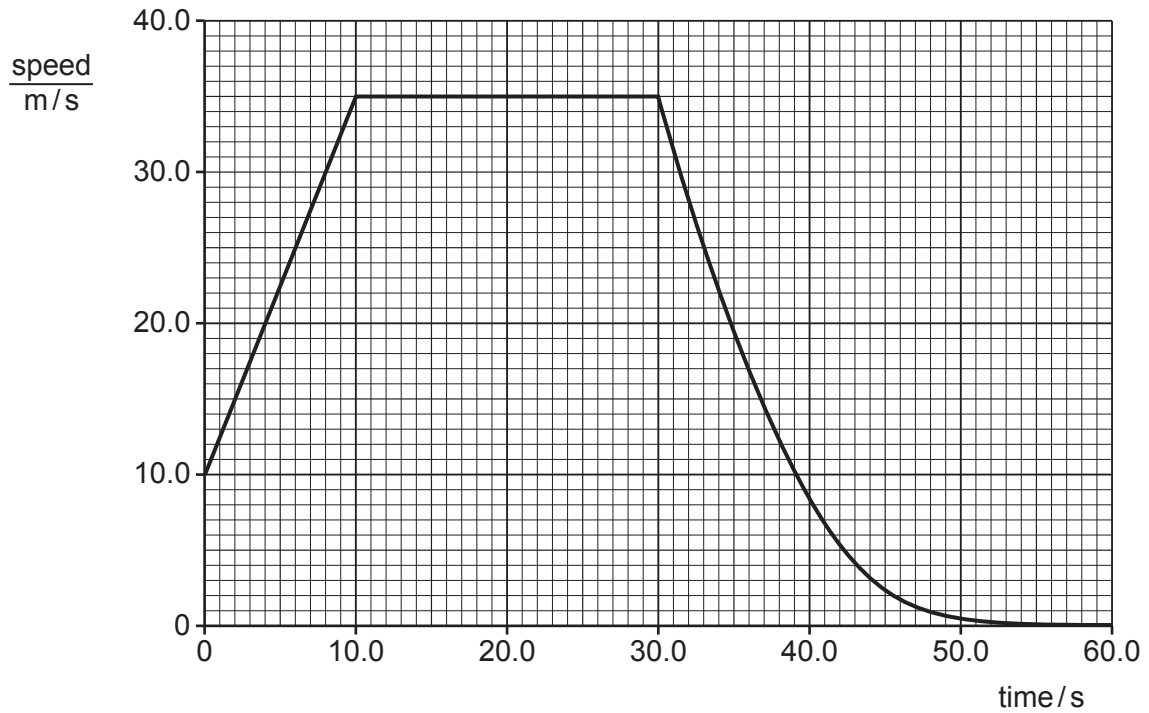


Fig. 2.1

(a) Determine the speed of the car using information from Fig. 2.1:

(i) when the time is 5.0 s

speed = m/s [2]

(ii) when the car is moving with a constant speed.

speed = m/s [1]

(b) Describe how the speed of the car changes between 30.0 s and 60.0 s.

..... [2]

(c) Determine the distance travelled by the car between 10.0 s and 30.0 s.

distance travelled = m [3]

(d) The total distance travelled by the car in the last 30.0 s is 226 m.

Calculate the average speed of the car in the last 30.0 s.

average speed = m/s [3]

[Total: 11]
[Turn over

- 3 Fig. 3.1 shows a barrier used at a car park. The beam can be raised and lowered by a man rotating it about its pivot.

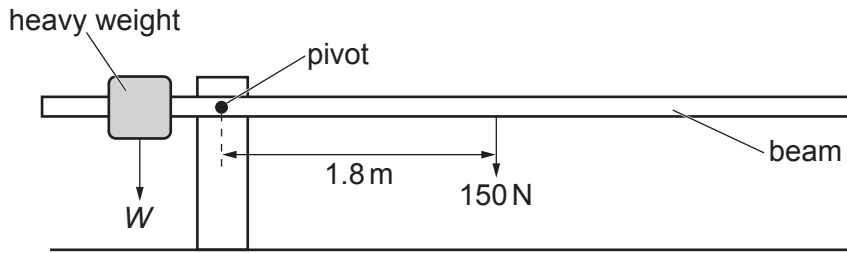


Fig. 3.1 (not to scale)

- (a) The weight of the beam is 150 N. This acts at a distance of 1.8 m from the pivot as shown in Fig. 3.1.

Calculate the moment of the weight of the beam about the pivot.

Include the correct unit in your answer.

moment of weight of beam = unit [4]

- (b) When the weight W of the heavy weight acts at a distance of 0.6 m from the pivot, the barrier is horizontal and balanced as shown in Fig. 3.1. The man raises the barrier and the heavy weight slips to a distance of 0.8 m from the pivot. This causes a problem for the man trying to lower the barrier.

Describe and explain the problem this causes for the man lowering the barrier.

.....

.....

.....

.....

..... [3]

[Total: 7]

4 A student investigates energy changes when a ball rolls down a curved track.

The student holds the ball at a starting point on the curved track, as shown in Fig. 4.1.

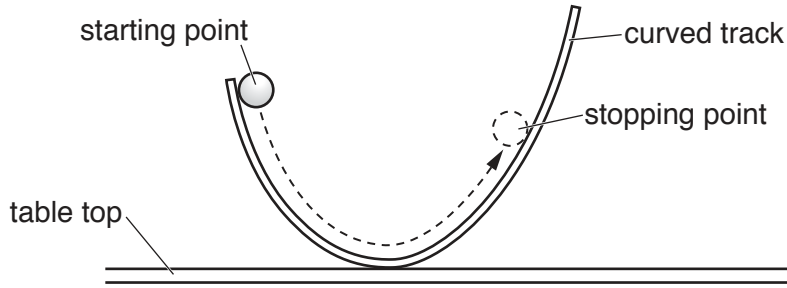


Fig. 4.1

The ball is released. It rolls down the track, up the other side to the stopping point and then back down again.

(a) Describe the energy changes that take place as the ball rolls from the starting point to the stopping point.

.....

.....

.....

..... [4]

(b) The height of the stopping point is less than the height of the starting point.

Describe how the principle of conservation of energy explains the difference between the height of the stopping point and the height of the starting point.

.....

.....

..... [2]

[Total: 6]

- 5 Fig. 5.1 shows a device connected to a gas cylinder. The device is used to measure the pressure of the gas inside the cylinder.

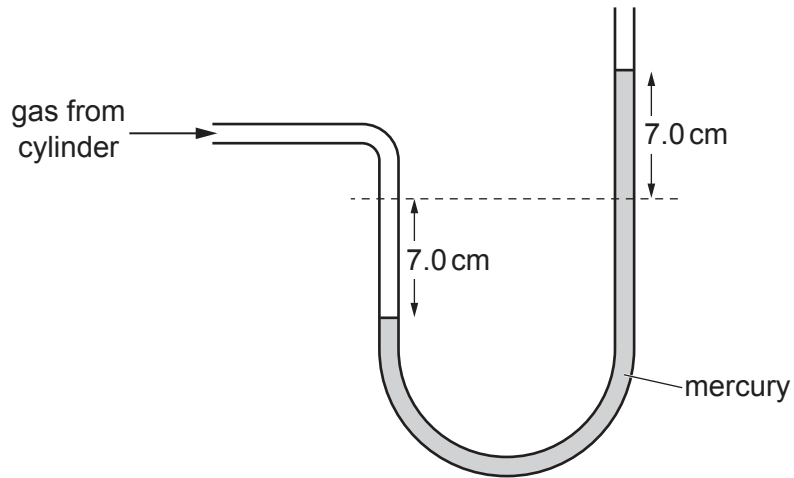


Fig. 5.1

- (a) (i) State the name of the device shown in Fig. 5.1.

..... [1]

- (ii) The atmospheric pressure is equal to 75 cm of mercury.

Determine the pressure of the gas in the cylinder. Use information from Fig. 5.1.

pressure of gas = cm of mercury [2]

(b) Fig. 5.2 shows two identical heavy stone tiles placed on soft ground. One is vertical and the other is horizontal.

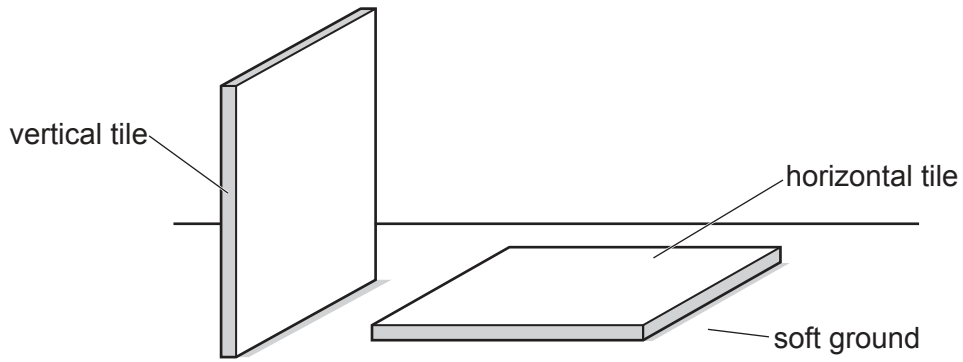


Fig. 5.2

One of the tiles sinks into the soft ground.

State and explain which tile sinks into the soft ground.

.....

.....

.....

.....

.....

.....

..... [4]

[Total: 7]

6 (a) Fig. 6.1 shows a liquid-in-glass thermometer.

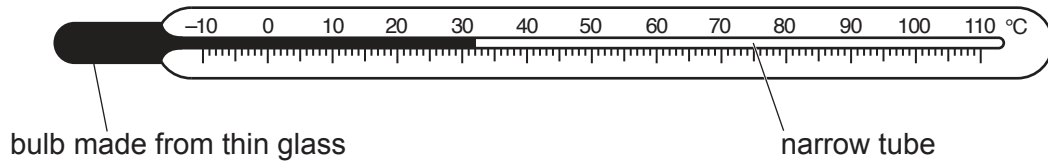


Fig. 6.1

(i) State the temperature indicated on the thermometer in Fig. 6.1.

..... [1]

(ii) Explain why:

1. the bulb is made from thin glass

.....
.....
..... [1]

2. the tube, along which the liquid expands, is narrow.

.....
.....
..... [1]

(b) A substance cools from 40°C to -20°C .

The substance takes 40 minutes to cool from 40°C to its melting point of -12°C . The substance then takes 20 minutes to freeze.

On Fig. 6.2, sketch a temperature–time graph as the substance cools from 40°C to -20°C .

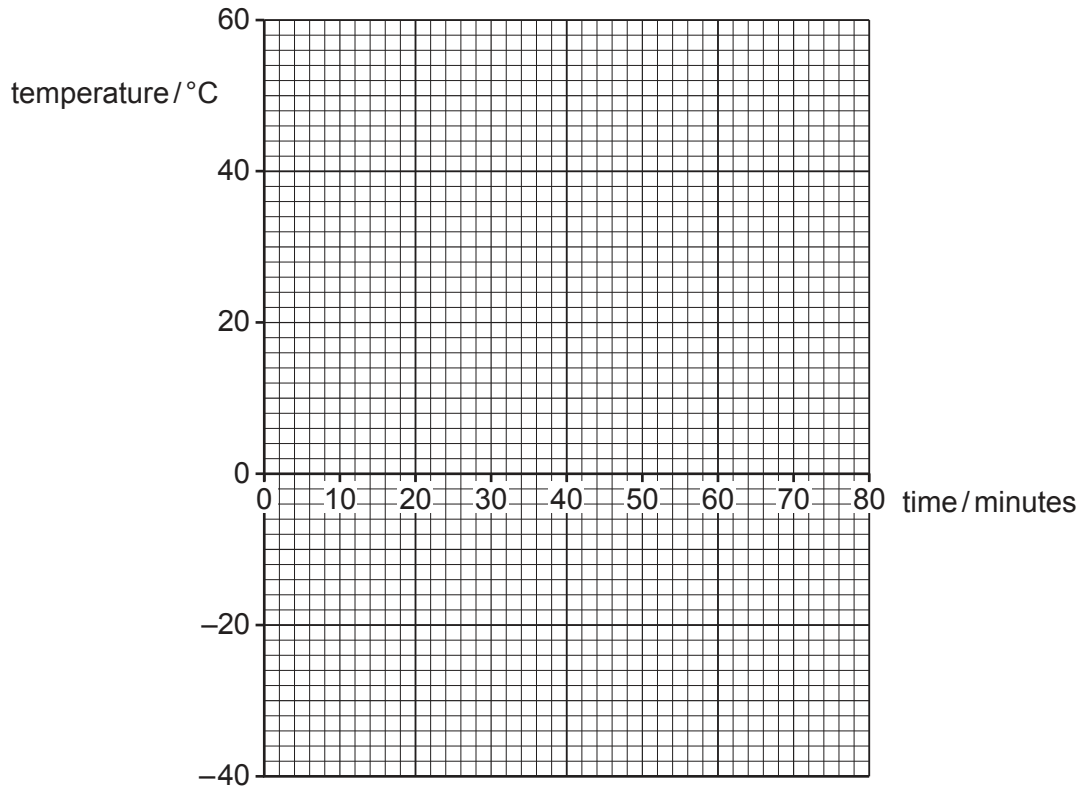


Fig. 6.2

[4]

[Total: 7]

- 7 (a) Both radio waves and γ -rays (gamma) are radiations in the electromagnetic spectrum. Fig. 7.1 shows the main regions of the electromagnetic spectrum. Most regions are labelled.

radio waves	microwave radiation	infrared radiation	visible light	γ -rays
				

Fig. 7.1

- (i) On Fig. 7.1, write the names of the radiations in the other **two** parts of the electromagnetic spectrum. [2]
- (ii) State **one** use of γ -rays.
 [1]
- (iii) A star emits radio waves and γ -rays at the same time. They all travel across the vacuum of space to the Earth's atmosphere.
 State whether the radio waves or the γ -rays, if either, arrive first at the Earth's atmosphere. Give a reason for your answer.
 statement
 reason [2]

(b) Fig. 7.2 shows pulses of a signal from a star.

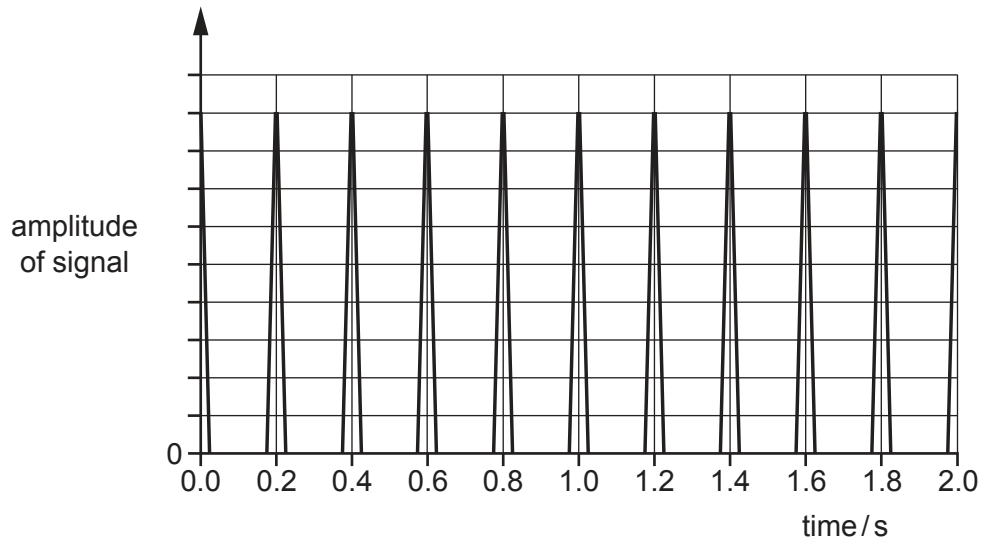


Fig. 7.2

(i) Use the graph in Fig. 7.2 to determine the time between pulses.

time between pulses = s [2]

(ii) Determine the frequency of the pulses in Fig. 7.2.

frequency = Hz [2]

[Total: 9]

8 A student uses a semicircular glass block to investigate refraction.

- (a) He shines a ray of red light into the block, as shown in Fig. 8.1.
X is the middle of the flat surface.

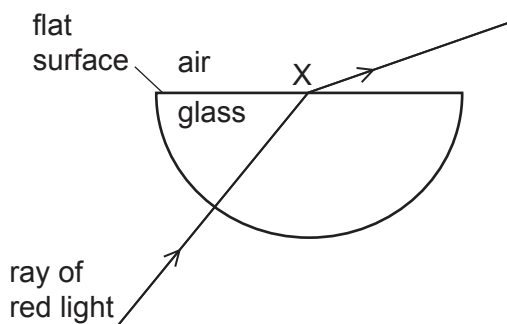


Fig. 8.1

- (i) On Fig. 8.1, draw the normal where the ray meets the flat surface at X. [1]
- (ii) On Fig. 8.1, label the angle of refraction. Use the letter R for the label. [1]
- (iii) The student uses a semicircular glass block. State the name of **one** other piece of equipment that he needs for the investigation.

..... [1]

- (b) Fig. 8.2 shows a ray of red light incident on the flat surface of the semicircular glass block. The angle of incidence is greater than the critical angle for glass.

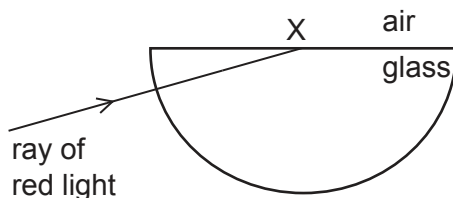


Fig. 8.2

On Fig. 8.2, draw the path of the ray after it strikes the flat surface. [2]

[Total: 5]

9 (a) Fig. 9.1 shows an electric circuit.

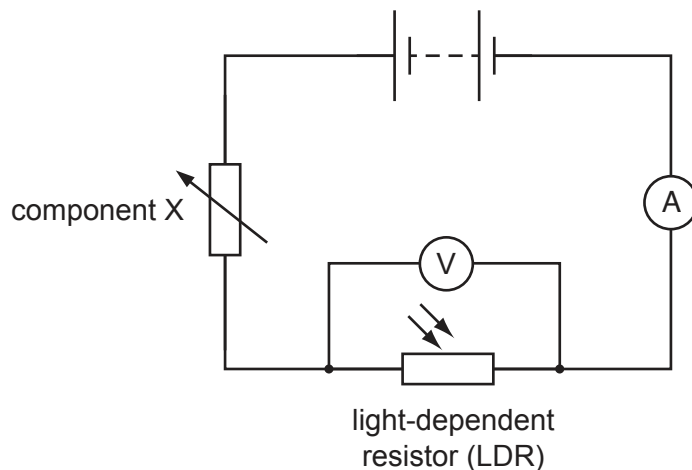


Fig. 9.1

(i) The current in the metal wires of the circuit is a flow of particles. State the name of these particles.

..... [1]

(ii) State the name of component X.

..... [1]

(iii) The circuit is in a darkened room. The voltmeter reading is 5.5V and the ammeter reading is 0.050A.

Calculate the resistance of the light-dependent resistor (LDR).

resistance = Ω [3]

(b) The light in the room is switched on. The room becomes bright.

State and explain how increasing the brightness of the light that falls on the LDR changes the current in the circuit.

.....
 [2]

[Total: 7]

10 Fig. 10.1 shows an electric screwdriver which has an electric motor and a battery.

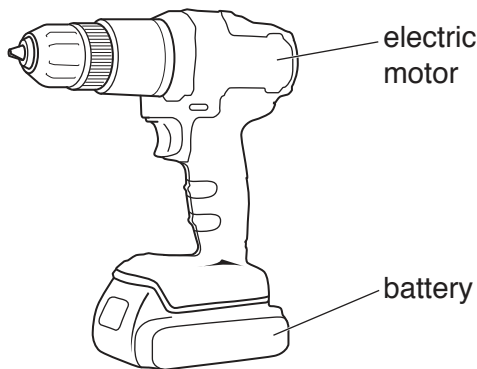


Fig. 10.1

(a) (i) The electric motor has a current-carrying coil in a magnetic field. The screwdriver’s manufacturer decides that the turning effect of the coil is too small.

State **three** ways of increasing the turning effect of the coil.

- 1.
 - 2.
 - 3.
- [3]

(ii) The coil in the motor can rotate in either direction.

State what happens in the coil to reverse the direction of rotation.

..... [1]

(b) The battery is charged using a transformer connected to an a.c. power supply.

The primary voltage V_p to the transformer is 234V and the secondary voltage V_s of the transformer is 18V.

The number of turns on the primary coil N_p is 2470 turns.

Calculate the number of turns on the secondary coil N_s .

$N_s = \dots\dots\dots$ [3]

[Total: 7]

- 11 (a) The nuclide notation A_ZX describes the nucleus of an atom.

Draw a line from each symbol to the correct description of the symbol.

symbol	description
A	half-life value
	neutron number
	nucleon number
Z	type of radiation
	proton number

[2]

- (b) The activity of a sample of a radioactive nuclide is measured in June of each year.
 In June 2004 the activity was 80 000 counts/s.
 In June 2014 the activity was 20 000 counts/s.

- (i) Show that the half-life of the nuclide is 5 years.

[3]

- (ii) Determine the year when the activity of the sample was 10 000 counts/s.

year = [2]

[Total: 7]

BLANK PAGE

Permission to reproduce items where third-party owned material protected by copyright is included has been sought and cleared where possible. Every reasonable effort has been made by the publisher (UCLES) to trace copyright holders, but if any items requiring clearance have unwittingly been included, the publisher will be pleased to make amends at the earliest possible opportunity.

To avoid the issue of disclosure of answer-related information to candidates, all copyright acknowledgements are reproduced online in the Cambridge Assessment International Education Copyright Acknowledgements Booklet. This is produced for each series of examinations and is freely available to download at www.cambridgeinternational.org after the live examination series.

Cambridge Assessment International Education is part of the Cambridge Assessment Group. Cambridge Assessment is the brand name of the University of Cambridge Local Examinations Syndicate (UCLES), which itself is a department of the University of Cambridge.