



**Cambridge International Examinations**  
Cambridge International General Certificate of Secondary Education

CANDIDATE  
NAME

CENTRE  
NUMBER

--	--	--	--	--

CANDIDATE  
NUMBER

--	--	--	--



**MATHEMATICS**

**0580/21**

Paper 2 (Extended)

**October/November 2015**

**1 hour 30 minutes**

Candidates answer on the Question Paper.

Additional Materials:      Electronic calculator  
                                         Tracing paper (optional)

Geometrical instruments

**READ THESE INSTRUCTIONS FIRST**

Write your Centre number, candidate number and name on all the work you hand in.

Write in dark blue or black pen.

You may use an HB pencil for any diagrams or graphs.

Do not use staples, paper clips, glue or correction fluid.

**DO NOT WRITE IN ANY BARCODES.**

Answer **all** questions.

If working is needed for any question it must be shown below that question.

Electronic calculators should be used.

If the degree of accuracy is not specified in the question, and if the answer is not exact, give the answer to three significant figures. Give answers in degrees to one decimal place.

For  $\pi$ , use either your calculator value or 3.142.

At the end of the examination, fasten all your work securely together.

The number of marks is given in brackets [ ] at the end of each question or part question.

The total of the marks for this paper is 70.

The syllabus is approved for use in England, Wales and Northern Ireland as a Cambridge International Level 1/Level 2 Certificate.

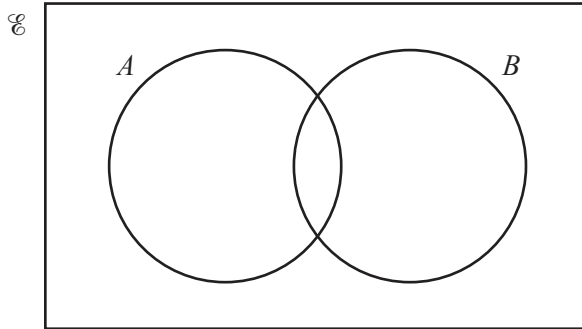
This document consists of **11** printed pages and **1** blank page.

- 1 At midnight the temperature in Newtown was  $-8^{\circ}\text{C}$ .  
 At noon the next day the temperature in Newtown was  $9^{\circ}\text{C}$ .

Work out the rise in temperature from midnight to noon.

Answer .....  $^{\circ}\text{C}$  [1]

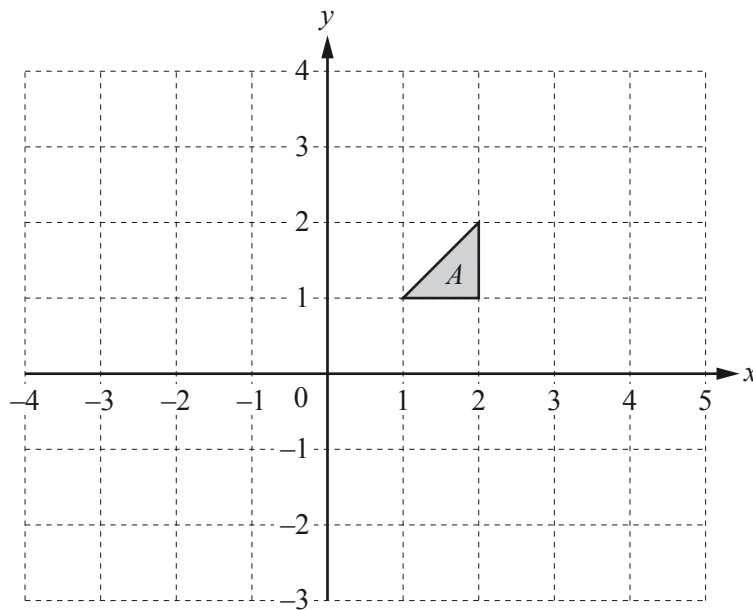
2



In the Venn diagram shade the region  $A \cup B'$ .

[1]

3



Draw the image of shape  $A$  after a translation by the vector  $\begin{pmatrix} 2 \\ -3 \end{pmatrix}$ .

[2]

- 4 Pip and Ali share \$785 in the ratio Pip:Ali = 4:1.

Work out Pip's share.

Answer \$ ..... [2]

---

- 5 Jim scores the following marks in 8 tests.

7    8    8     $y$     6    9    10    5

His mean mark is 7.5 .

Calculate the value of  $y$ .

Answer  $y =$  ..... [2]

---

- 6 By writing each number correct to 1 significant figure, estimate the value of  $\frac{\sqrt{3.9} \times 29.3}{8.9 - 2.7}$ .

Show all your working.

Answer ..... [2]

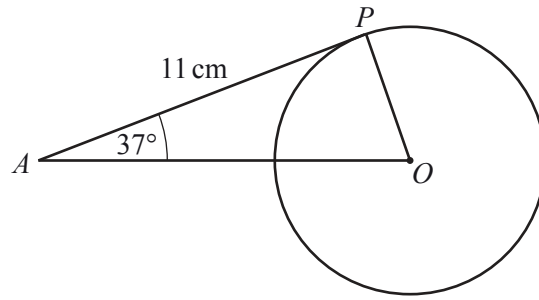
---

- 7 Work out the highest common factor (HCF) of 36 and 90.

Answer ..... [2]

---

8

NOT TO  
SCALE

In the diagram,  $AP$  is a tangent to the circle at  $P$ .  
 $O$  is the centre of the circle, angle  $PAO = 37^\circ$  and  $AP = 11$  cm.

(a) Write down the size of angle  $OPA$ .

Answer(a) Angle  $OPA = \dots\dots\dots$  [1]

(b) Work out the radius of the circle.

Answer(b)  $\dots\dots\dots$  cm [2]

9 Factorise completely.

(a)  $ax + ay + 3cx + 3cy$

Answer(a)  $\dots\dots\dots$  [2]

(b)  $3a^2 - 12b^2$

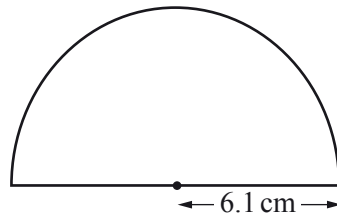
Answer(b)  $\dots\dots\dots$  [3]

- 10 Write the recurring decimal  $0.1\dot{5}$  as a fraction.  
 [ $0.1\dot{5}$  means  $0.1555\dots$ ]

Answer ..... [2]

---

11



NOT TO  
SCALE

A protractor is a semi-circle of radius 6.1 cm.

Calculate the **perimeter** of the protractor.

Answer ..... cm [3]

---

- 12  $V$  is directly proportional to the cube of  $(r + 1)$ .  
 When  $r = 1$ ,  $V = 24$ .

Work out the value of  $V$  when  $r = 2$ .

Answer  $V =$  ..... [3]

---

13 Make  $x$  the subject of the formula.

$$y = ax^2 + b$$

*Answer*  $x =$  ..... [3]

---

14 A car travels at 56 km/h.

Find the time it takes to travel 300 metres.

Give your answer in seconds correct to the nearest second.

*Answer* ..... s [4]

---

15 Simplify.

$$\frac{x^2 - 16}{x^2 - 3x - 4}$$

*Answer* ..... [4]

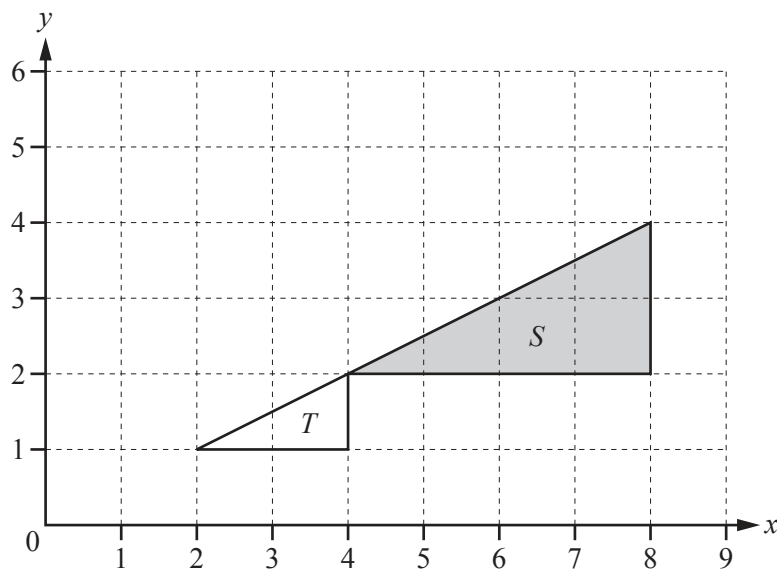
---

- 16 Hazel invests \$1800 for 7 years at a rate of 1.5% per year compound interest.

Calculate how much interest she will receive after the 7 years.  
Give your answer correct to the nearest dollar.

Answer \$ ..... [4]

17



- (a) Describe fully the **single** transformation that maps triangle  $S$  onto triangle  $T$ .

Answer(a) ..... [3]

- (b) Find the matrix which represents the transformation that maps triangle  $S$  onto triangle  $T$ .

Answer(b)  $\left( \begin{array}{cc} & \\ & \end{array} \right)$  [2]

18 (a) Work out  $\begin{pmatrix} 1 & -2 \\ 3 & 4 \end{pmatrix} \begin{pmatrix} -5 & -3 \\ 2 & 1 \end{pmatrix}$ .

*Answer(a)*  $\begin{pmatrix} & \\ & \end{pmatrix}$  [2]

(b) Find the inverse of  $\begin{pmatrix} 1 & -2 \\ 3 & 4 \end{pmatrix}$ .

*Answer(b)*  $\begin{pmatrix} & \\ & \end{pmatrix}$  [2]

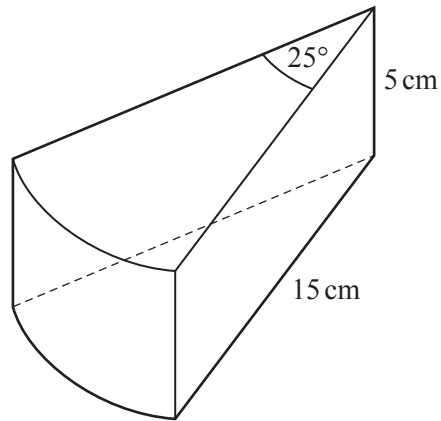
(c) Explain why it is not possible to work out  $\begin{pmatrix} 1 & -2 \\ 3 & 4 \end{pmatrix} + \begin{pmatrix} 3 \\ 2 \end{pmatrix}$ .

*Answer(c)* ..... [1]

---



19

NOT TO  
SCALE

The diagram shows a wooden prism of height 5 cm.  
 The cross section of the prism is a sector of a circle with sector angle  $25^\circ$ .  
 The radius of the sector is 15 cm.

Calculate the **total** surface area of the prism.

Answer ..... cm<sup>2</sup> [5]

---

20 The table shows the probability that a person has blue, brown or green eyes.

Eye colour	Blue	Brown	Green
Probability	0.4	0.5	0.1

Use the table to work out the probability that two people, chosen at random,

(a) have blue eyes,

*Answer(a)* ..... [2]

(b) have different coloured eyes.

*Answer(b)* ..... [4]

---

21             $f(x) = x^3$              $g(x) = 3x - 5$              $h(x) = 2x + 1$

Work out

(a)  $ff(2)$ ,

*Answer(a)* ..... [2]

(b)  $gh(x)$  and simplify your answer,

*Answer(b)* ..... [2]

(c)  $h^{-1}(x)$ , the inverse of  $h(x)$ .

*Answer(c)*  $h^{-1}(x) =$  ..... [2]

---

**BLANK PAGE**

---

Permission to reproduce items where third-party owned material protected by copyright is included has been sought and cleared where possible. Every reasonable effort has been made by the publisher (UCLES) to trace copyright holders, but if any items requiring clearance have unwittingly been included, the publisher will be pleased to make amends at the earliest possible opportunity.

To avoid the issue of disclosure of answer-related information to candidates, all copyright acknowledgements are reproduced online in the Cambridge International Examinations Copyright Acknowledgements Booklet. This is produced for each series of examinations and is freely available to download at [www.cie.org.uk](http://www.cie.org.uk) after the live examination series.

Cambridge International Examinations is part of the Cambridge Assessment Group. Cambridge Assessment is the brand name of University of Cambridge Local Examinations Syndicate (UCLES), which is itself a department of the University of Cambridge.