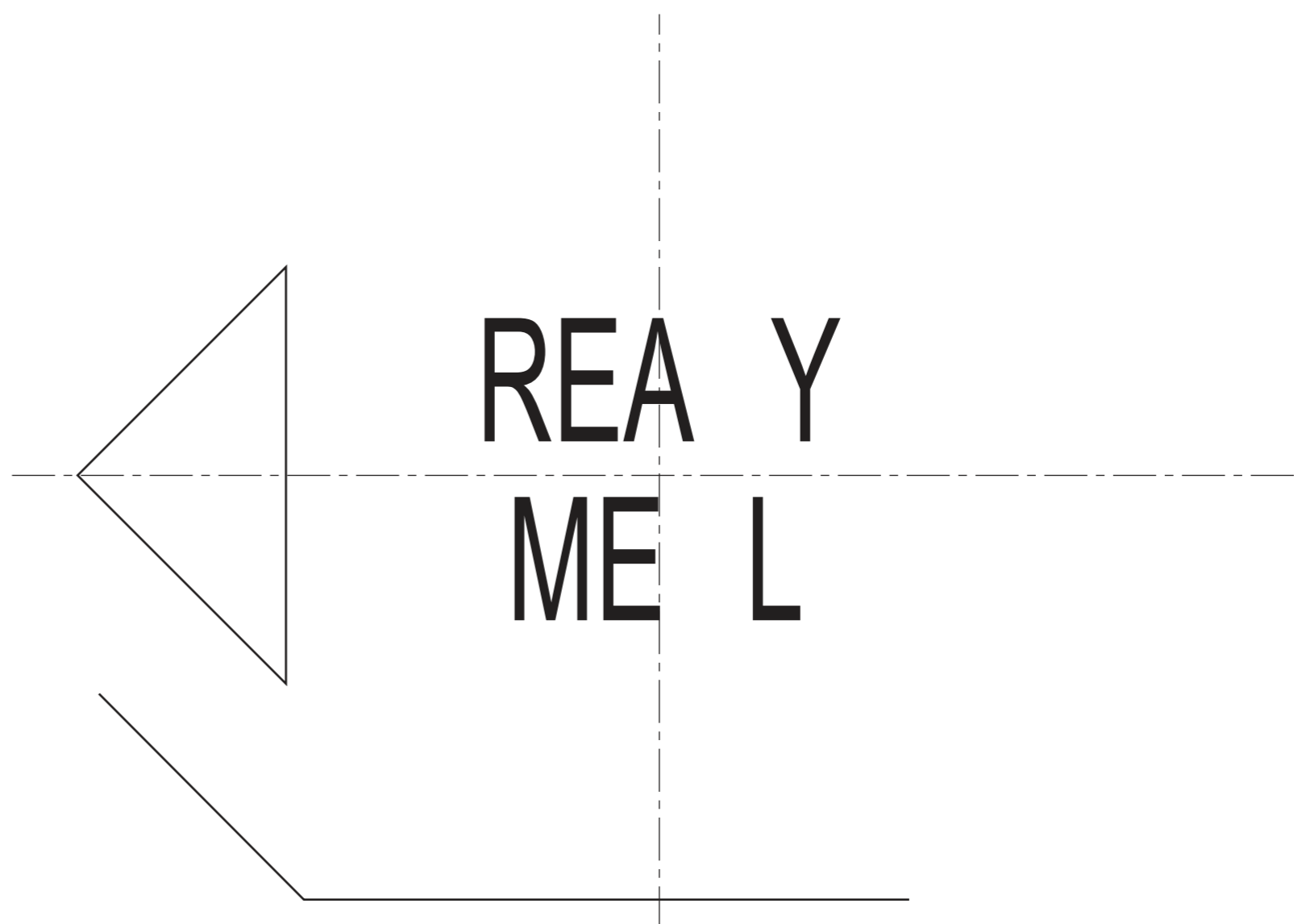
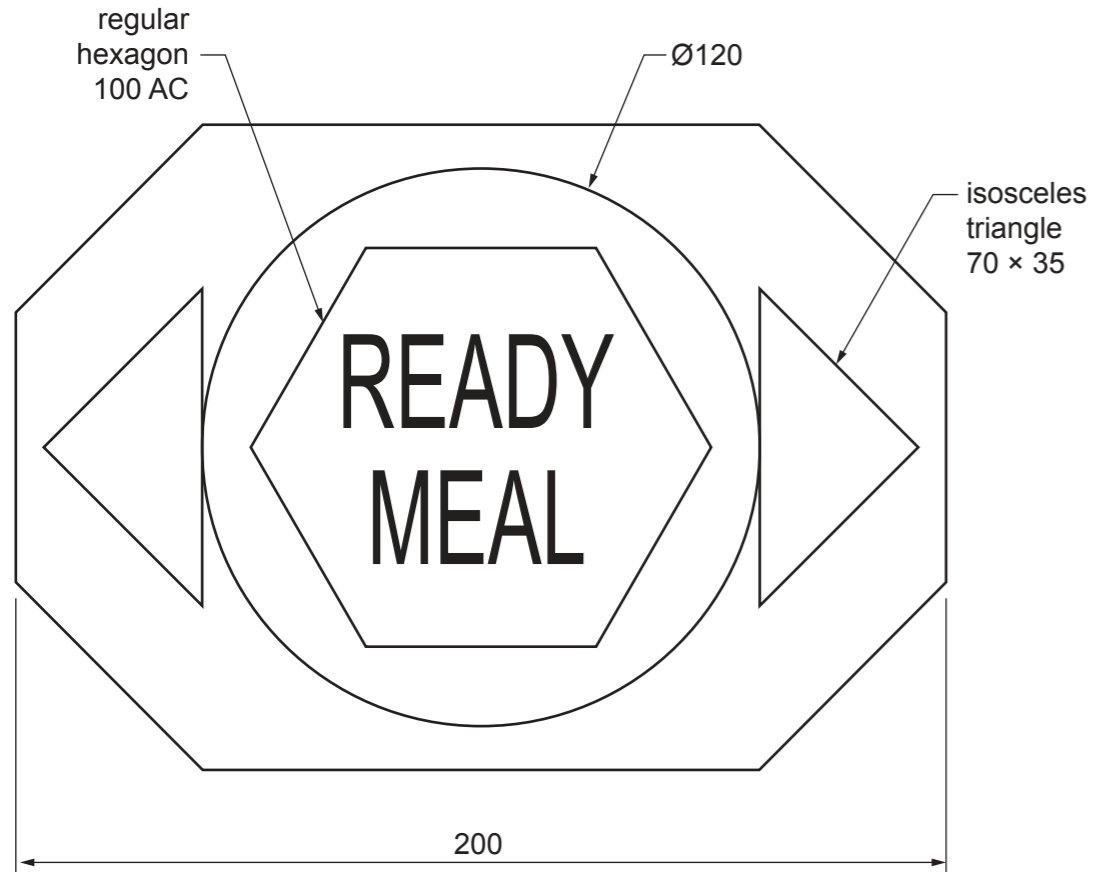


Section A

Answer **all** questions in this section.

A1 The front of a package for a ready meal is shown below.



Complete the full-size view of the front of the ready meal package in the space provided to the right by drawing:

- (a) the outline [4]
- (b) the circle [2]
- (c) the hexagon [3]
- (d) the isosceles triangle [2]
- (e) the missing letters of READY MEAL. [2]

For
Examiner's
use

0445/53 May/June 2021 **1 hour**
© UCLES 2021 DC (PQ/SW) 200334/3

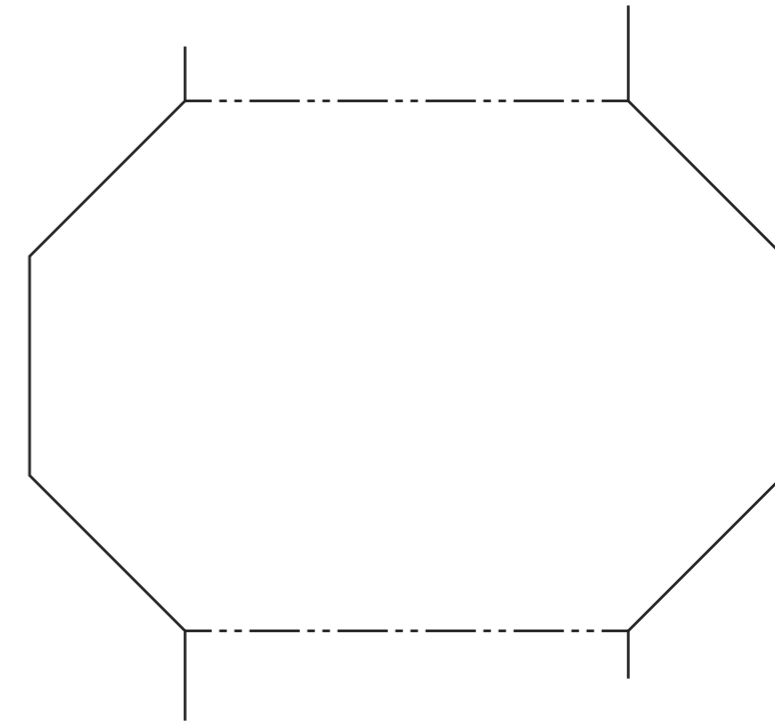
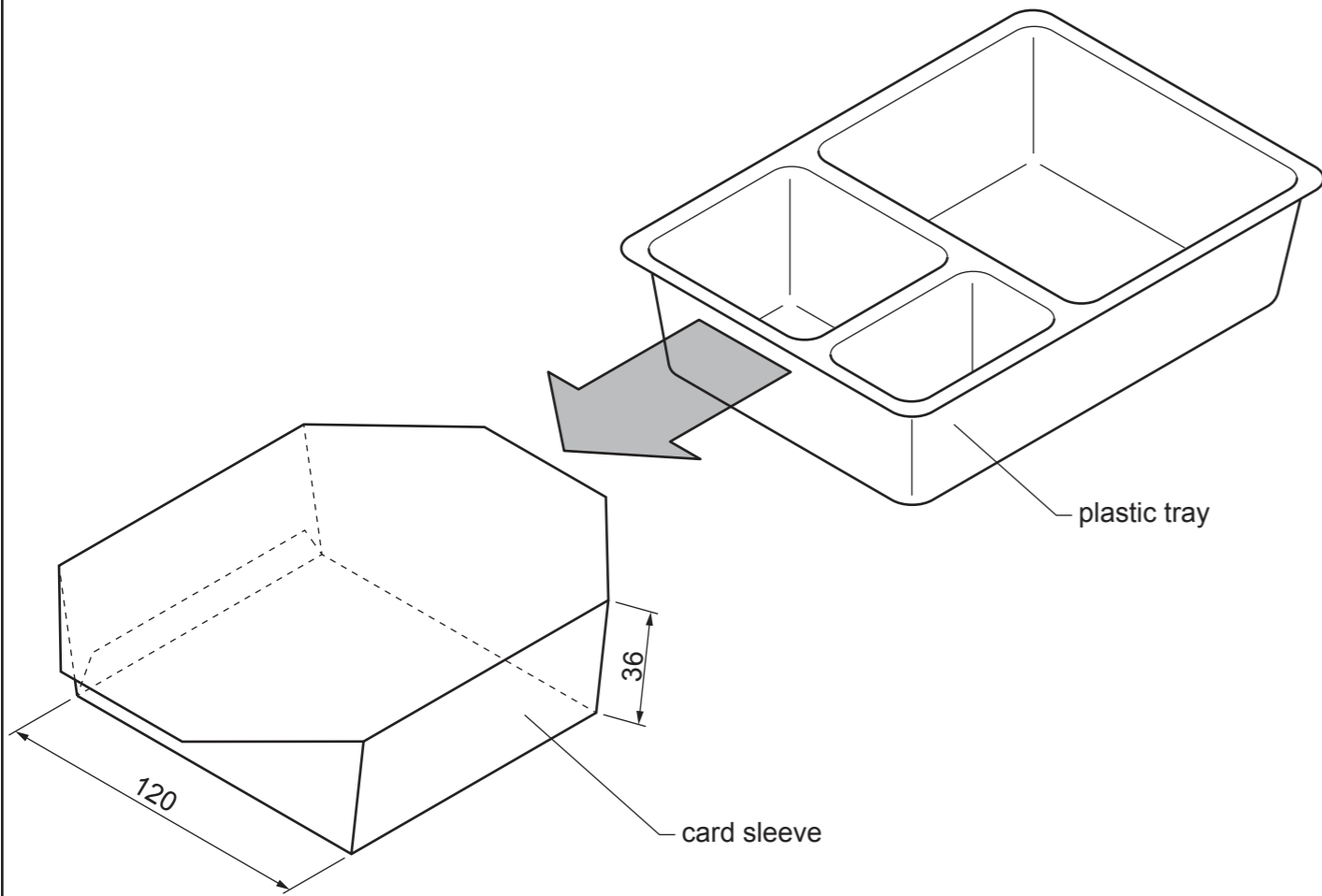
Centre Number

Candidate Number

Candidate Name

[Turn over]

A2 The card sleeve and plastic tray of the ready meal package are shown below.



Complete the half-size development (net) of the card sleeve in the space to the right by adding:

- (a) the two sides [4]
- (b) the back [3]
- (c) the glue-flap. [2]

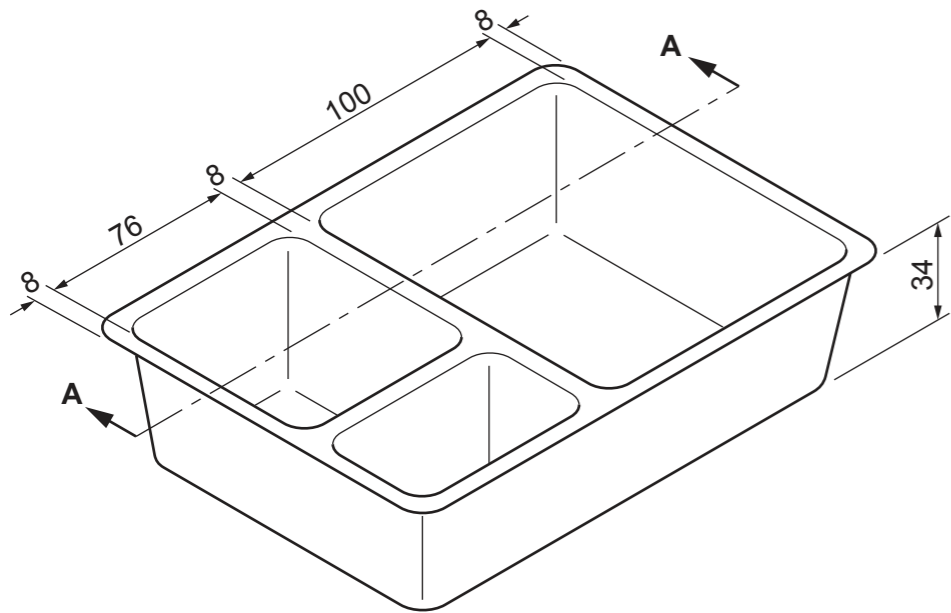
A3 In use, the plastic tray falls out of the sleeve too easily. In the space below use sketches and notes to show a modification to the development (net) that will prevent the tray from falling out of the sleeve. [3]

development (net)

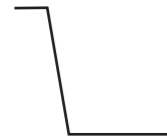
Section B

Answer **one** question, **either** Question **B4** or Question **B5** from this section.

B4 The tray for the ready meal is shown below. The sides of the tray have a 5° draft angle.



(a) Complete the sectional view **A–A** through the tray below to a scale of 1:2.

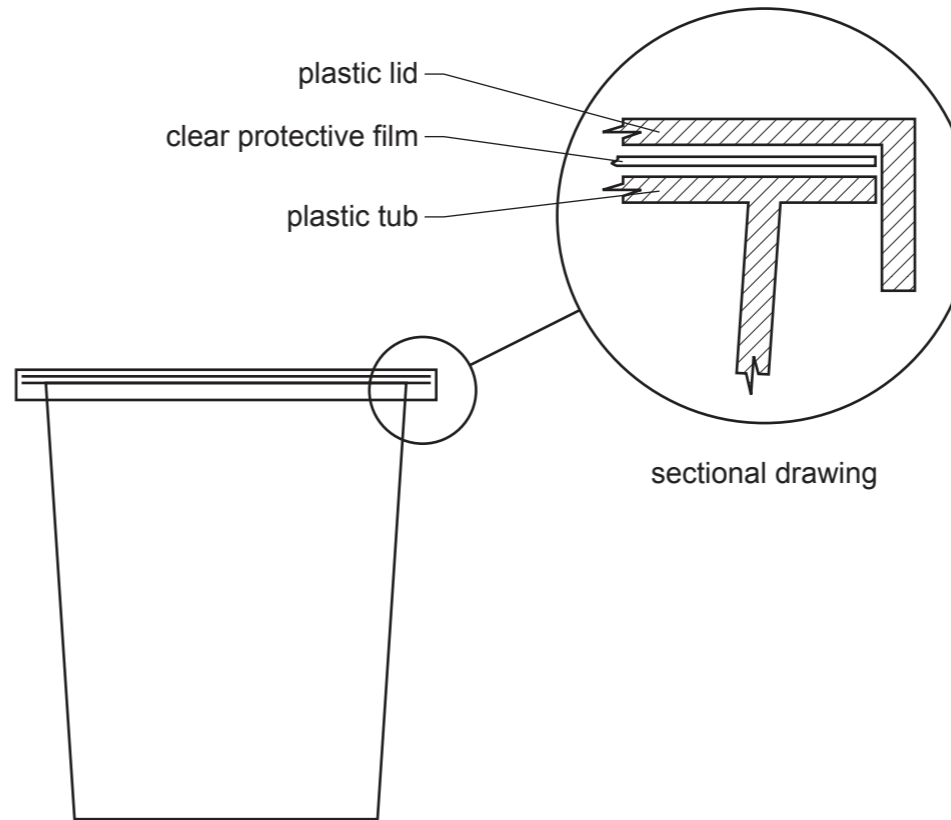


Section **A–A**

[8]

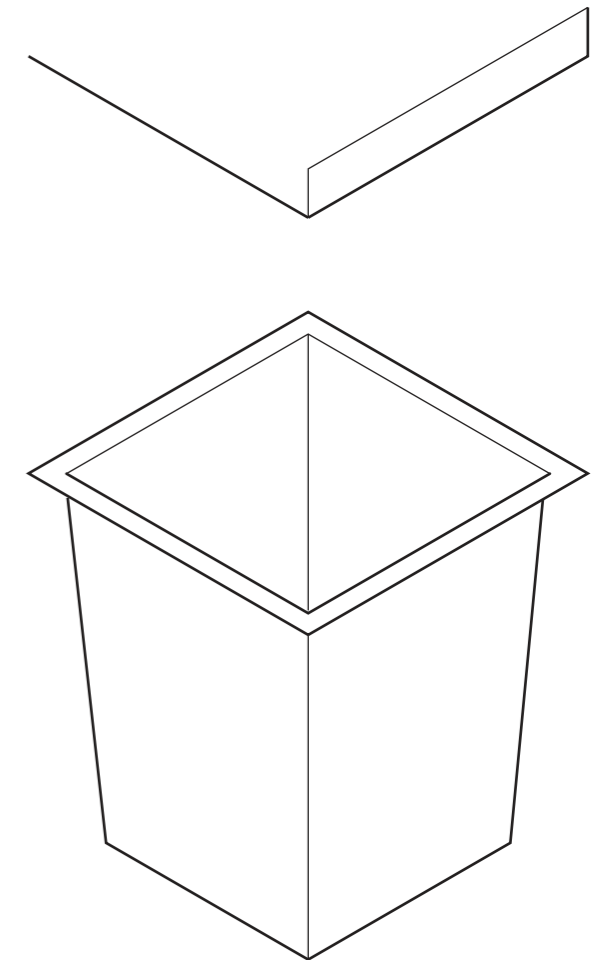
(c) Another ready meal container is shown below. The container has three parts:

- plastic lid
- clear protective film
- plastic tub.



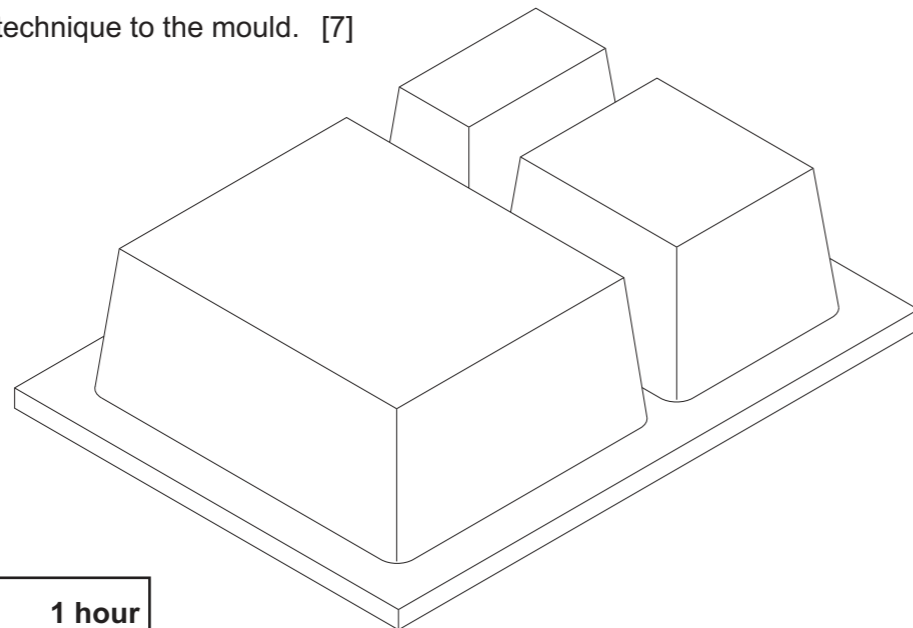
On the exploded isometric view of the ready meal container shown to the right:

- (i) complete the plastic lid [2]
- (ii) add the clear protective film. [3]



(b) The tray is made using a vacuum former. The mould for the plastic tray is shown below.

Apply thick and thin line technique to the mould. [7]



(d) A printed label is to be applied to the ready meal container. The label design is shown below.

(i) Describe how CAD/CAM could be used to produce the label.

.....

 [3]



(ii) Explain **one** benefit of using a computer to design a label.

.....
 [2]

For
Examiner's
use

0445/53 May/June 2021 **1 hour**
 © UCLES 2021 DC (PQ/SW) 200334/3

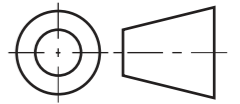
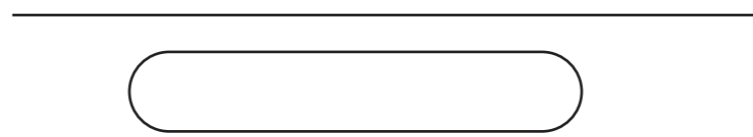
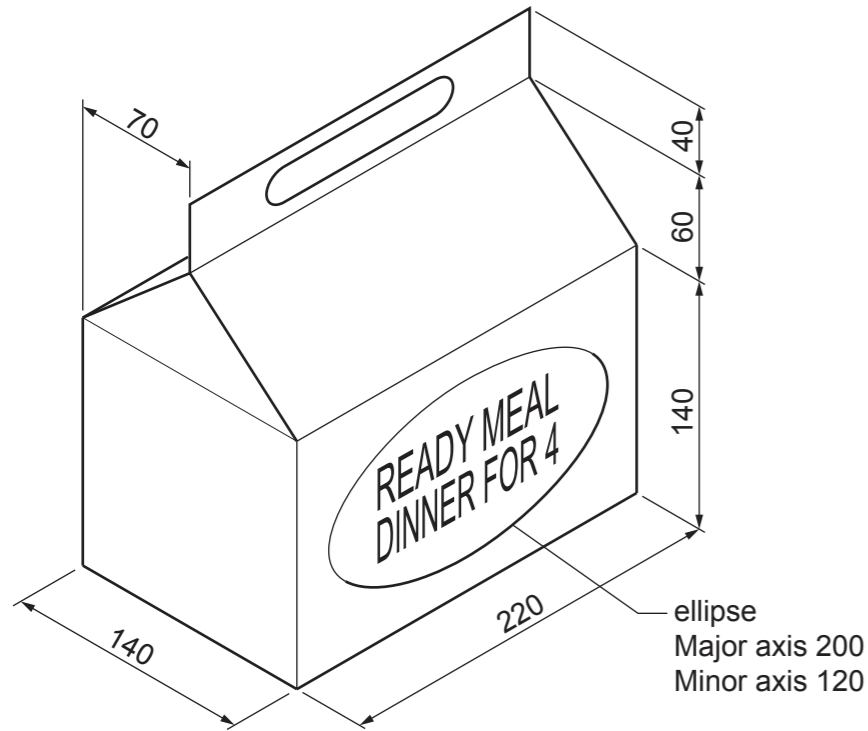
Centre Number

Candidate Number

Candidate Name

[Turn over

B5 A package containing a ready meal for four people is shown below.



**READY MEAL
DINNER FOR 4**

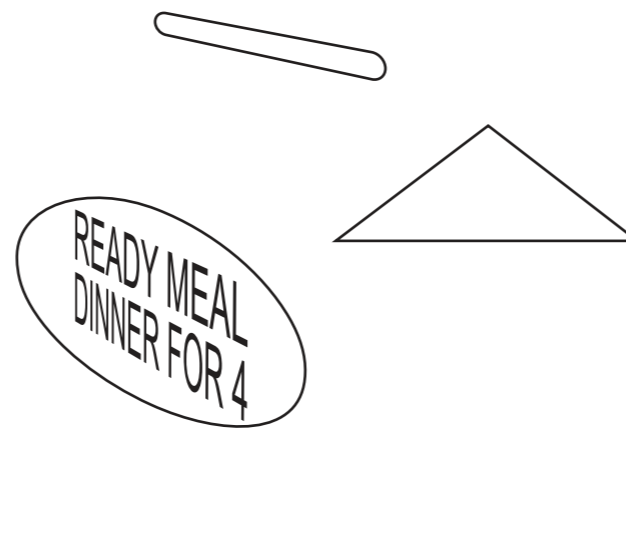
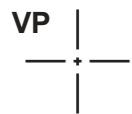
(a) In the space to the right complete the orthographic views of the ready meal package to a scale of 1:2 by adding:

- (i) the side view [5]
- (ii) the front view [5]
- (iii) the ellipse to the front view. [6]

front view

side view

(b) In the space below complete the estimated one-point perspective view of the ready meal package for four people. [7]



(c) A prototype of the ready meal package for four people is to be made.

Complete the table below to show **one** tool/item of equipment for each stage in the making process. The first stage has been completed. [2]

| Process | Tool/item of equipment |
|--|------------------------|
| Drawing out the development (net) onto thin card | <i>Pencil</i> |
| Cutting out the development (net) | |
| Gluing the development (net) together | |