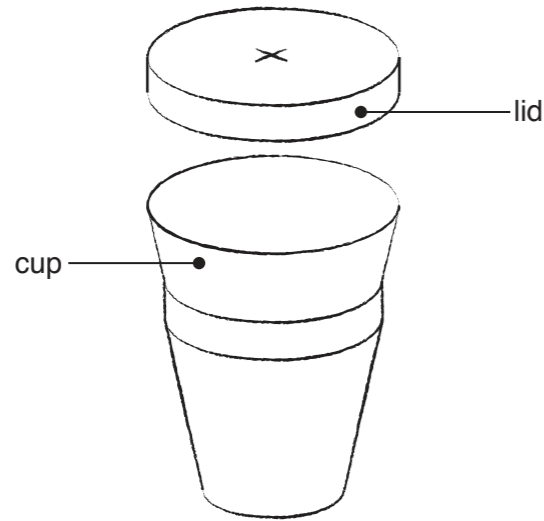


Section A

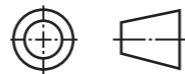
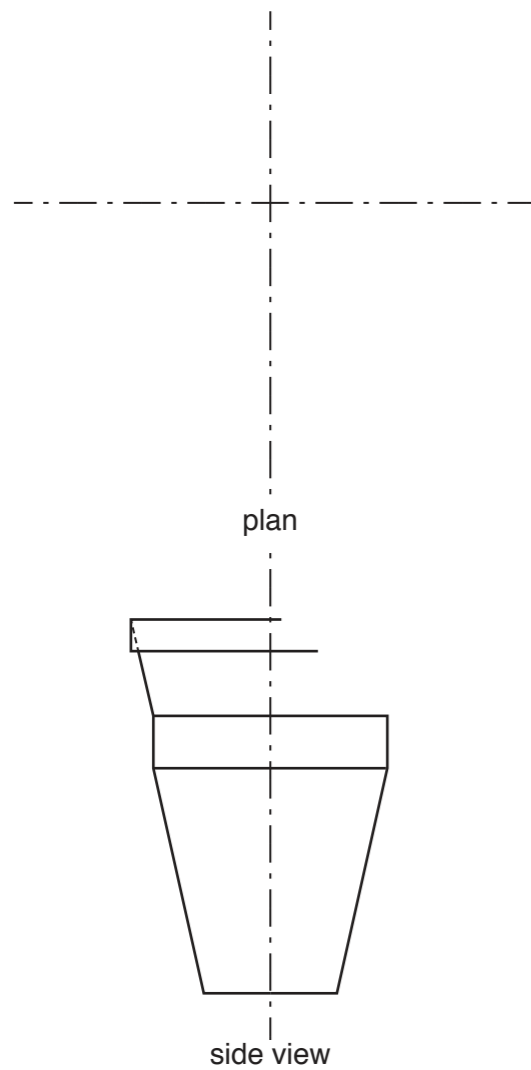
Answer **all** questions in this section.

A1 A sketch of a plastic cup and lid is shown below.



Complete the orthographic views of the plastic cup with the lid in place shown below. Include hidden detail.

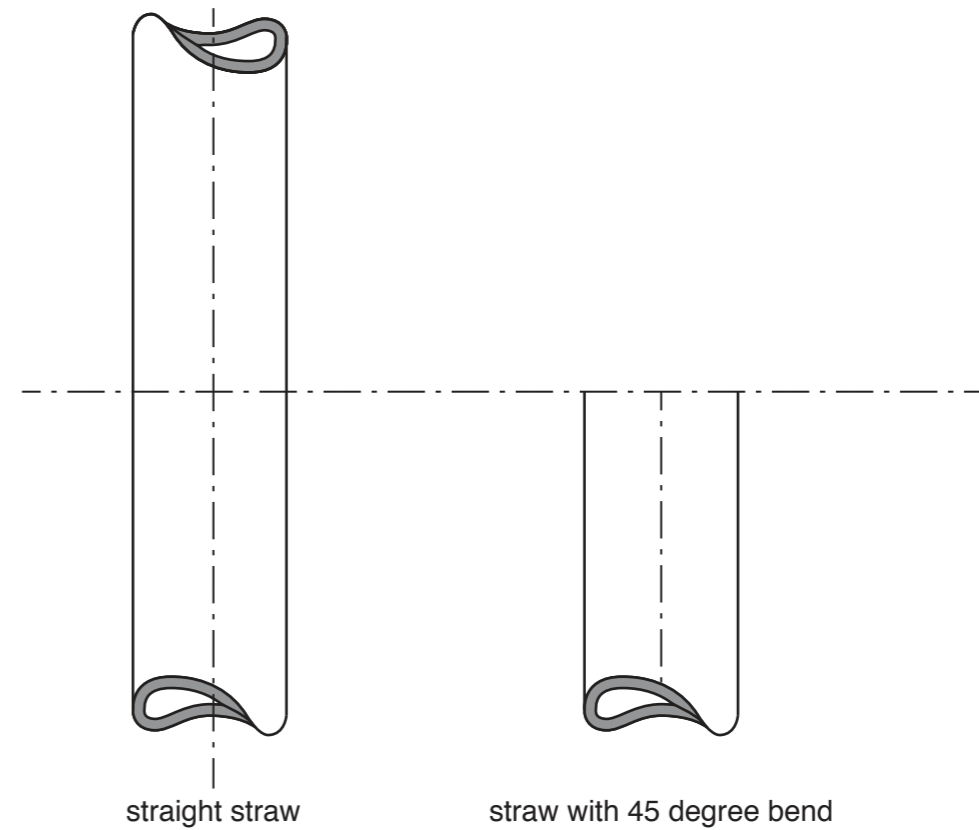
[7]



A2 (a) Name a method of manufacturing the lid of the cup.

..... [1]

(b) A straw is pushed into the hole in the top of the lid. Complete the drawing below to show part of a straw with a 45 degree bend. [4]



(c) Explain why the cup is wider at the top than at the bottom.

.....

 [2]

0445/23 May/June 2017 **1 hour**
 © UCLES 2017 DC (NF/SG) 127895/2

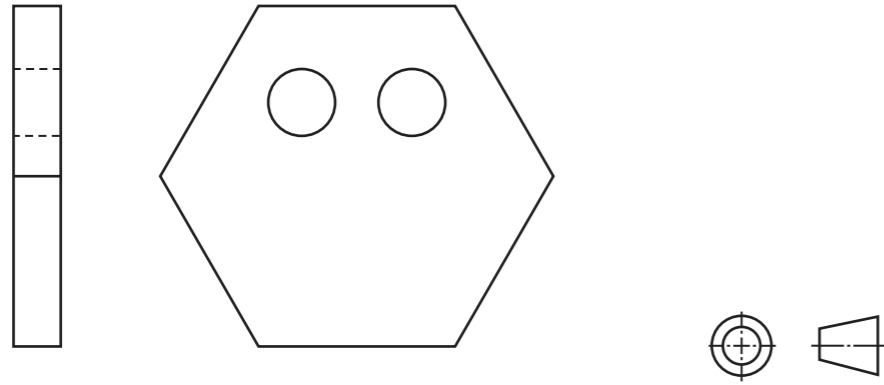
Centre Number Candidate Number Candidate Surname Other Names **[Turn over**

For Examiner's use

A3 A face shape cut from foam board sheet is to be added to the plastic cup.

(b) Use a sketch and notes to show a method of attaching the foam board face shape to the cup. [2]

Orthographic views of the face shape are shown below.



(a) Construct a 2 : 1 planometric drawing of the face shape in the space below. Sizes should be taken from the orthographic views. [7]

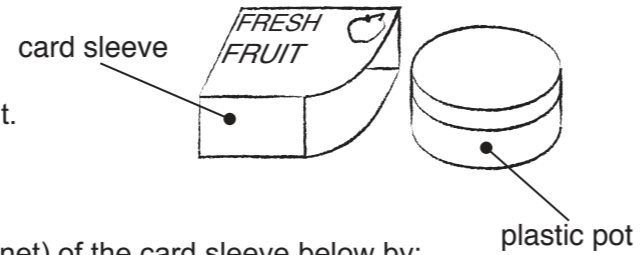
(c) State **two** reasons why the face would be added to the cup.

1. [1]

2. [1]

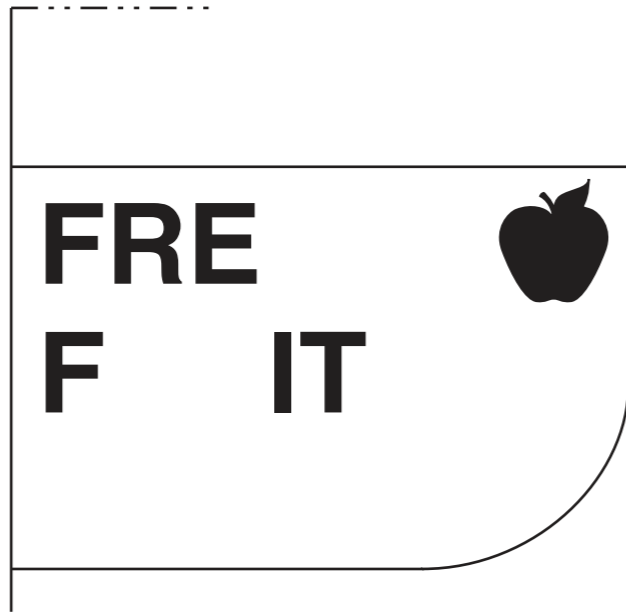
Section B
Answer **either** question **B4** or **B5**.

B4 A sketch of a package for fresh fruit is shown on the right.



(a) Complete the full size drawing of the development (net) of the card sleeve below by:

- (i) adding the missing surfaces; [9]
- (ii) adding the missing glue tab; [2]
- (iii) completing the name. [3]



(b) Describe the method of cutting out 10 000 copies of the development (net) for the card sleeve.

.....

.....

.....

.....

.....

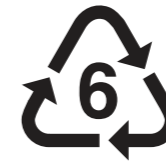
.....

..... [6]

(c) The apple shape on the card sleeve is to be embossed.

Use a sketch and notes to show what is meant by the term 'embossed'. [2]

(d) Explain why the symbol shown below is on the plastic pot.



.....

.....

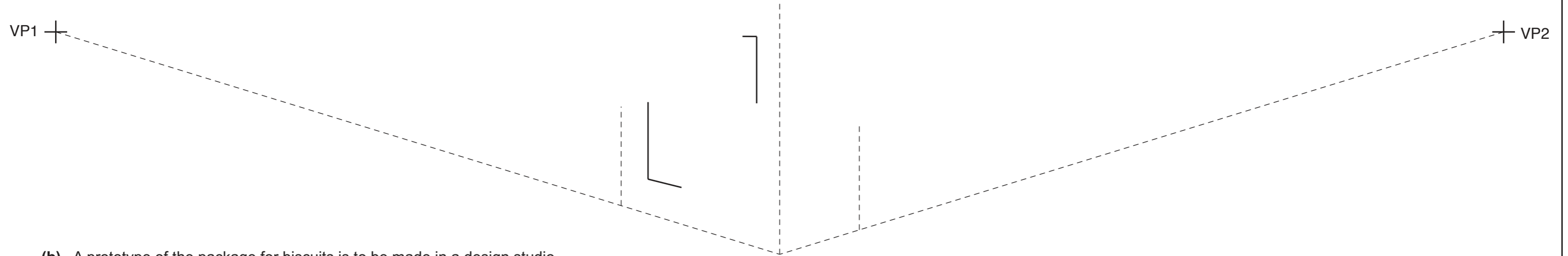
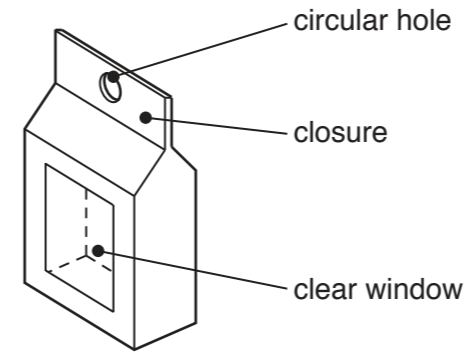
.....

..... [3]

For Examiner's use

B5 A package for biscuits is shown on the right. The package is made from paper and has a clear window on the front surface.

(a) On the start lines below complete the two point perspective drawing of the package. [16]



(b) A prototype of the package for biscuits is to be made in a design studio.

(i) Name a material that could be used to make the clear window.
 [1]

(ii) Use sketches to show a method of making and attaching the clear plastic window to the package. [4]

(c) (i) Complete the list below to show **three** pieces of information that should be printed on the package.

1. Eat within one week of opening.
2. [1]
3. [1]

(ii) Use a sketch and notes to explain why the closure has a circular hole in it. [2]