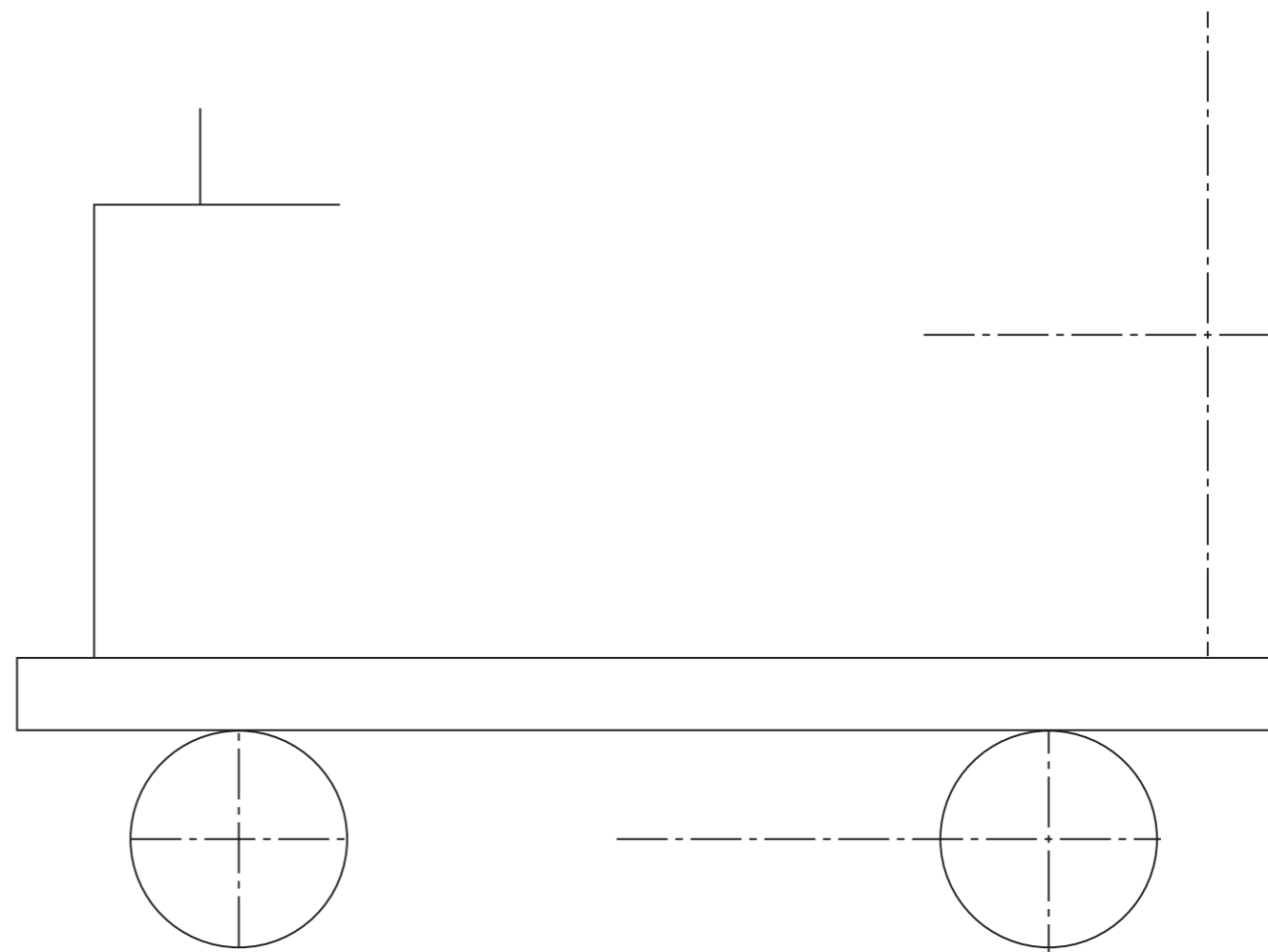
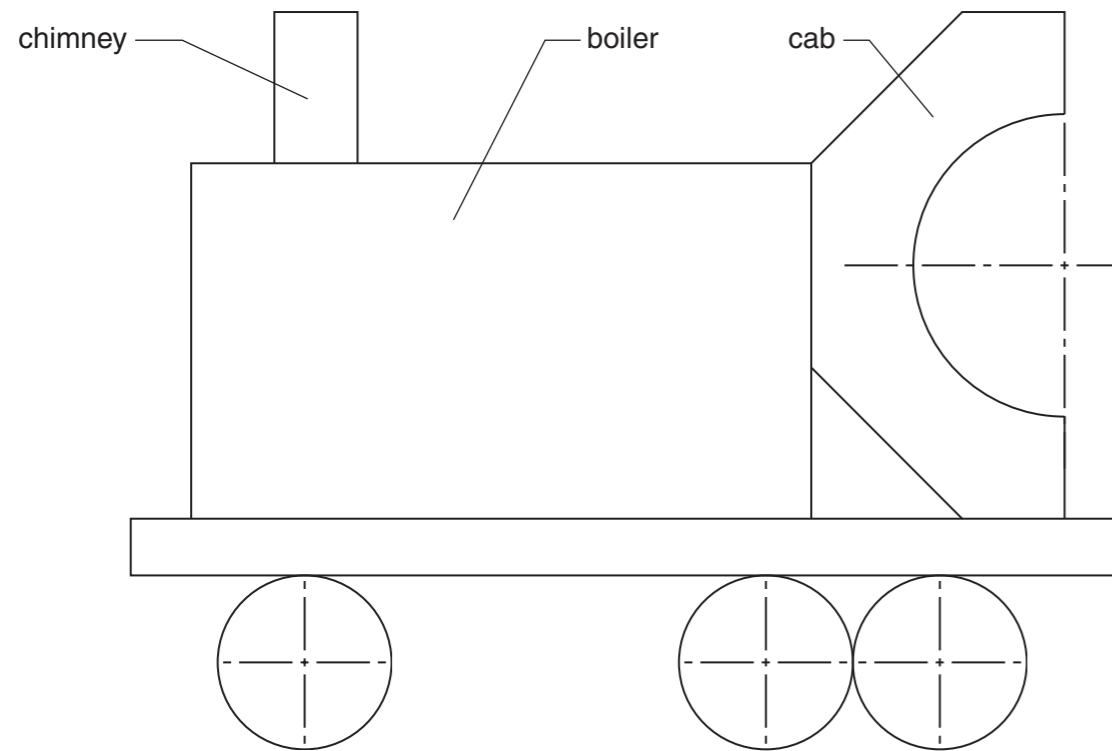


Section A

Answer **all** questions in this section.

A toy shop is called 'THE LITTLE TRAIN'.
Its logo is made up from regular shapes as shown below.



A1 Complete the full size drawing of the logo on the right by drawing:

- (a) a half octagon 90 A/F for the cab outline; [4]
- (b) a Ø50 semi-circle and complete the cab outline; [1]
- (c) the remaining part of the boiler; [2]
- (d) the chimney 15 wide to the same height as the cab; [2]
- (e) the missing Ø30 wheel. [2]

A2 Complete the signboard for THE LITTLE TRAIN by adding the **two** missing letters.
Both letters must be to the same height and style as those given. [4]



For
Examiner's
use

0445/23 May/June 2014 **1 hour**
© UCLES 2014 DC (SJF/CGW) 79887/1

Centre Number

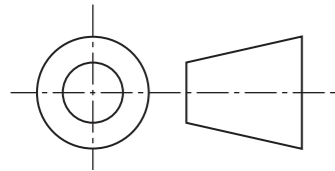
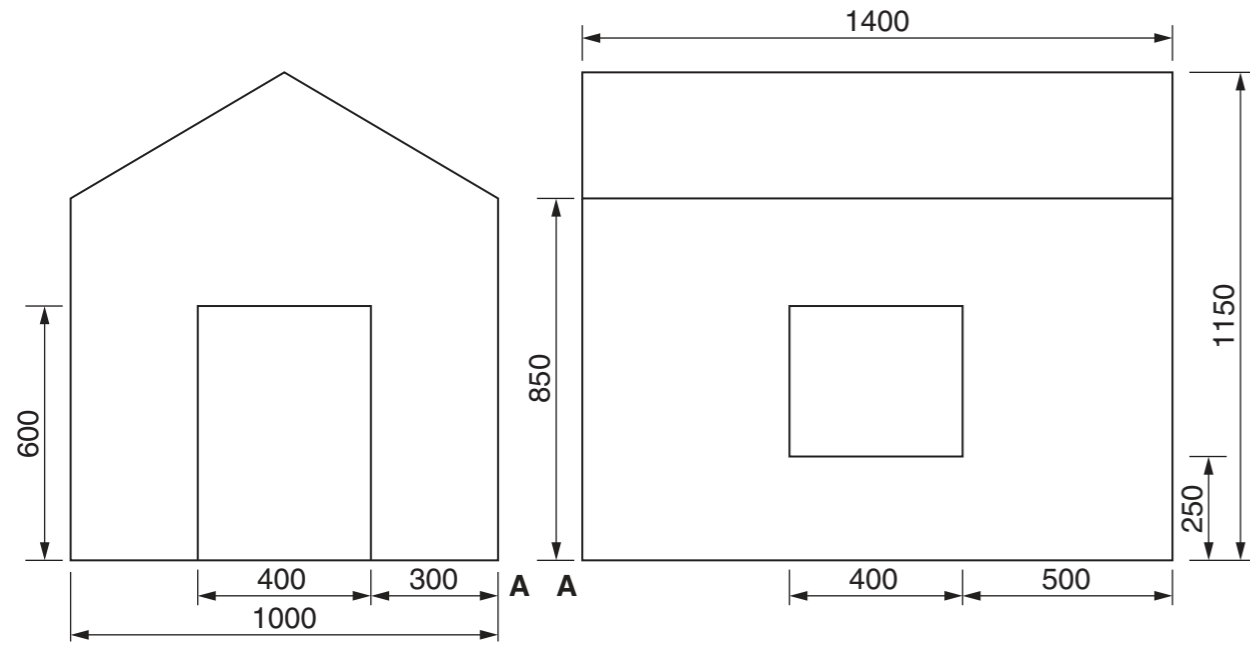
Candidate's Number

Candidate's Surname

Other Names

[Turn over]

A3 The toy shop sells play houses made from card.
Orthographic views of one of the play houses are shown below.



Draw, in the space provided below, an estimated two-point perspective view of the play house to a scale of 1:10.

Ignore the thickness of the card.

Corner **A** and the two vanishing points have been given.

[10]

