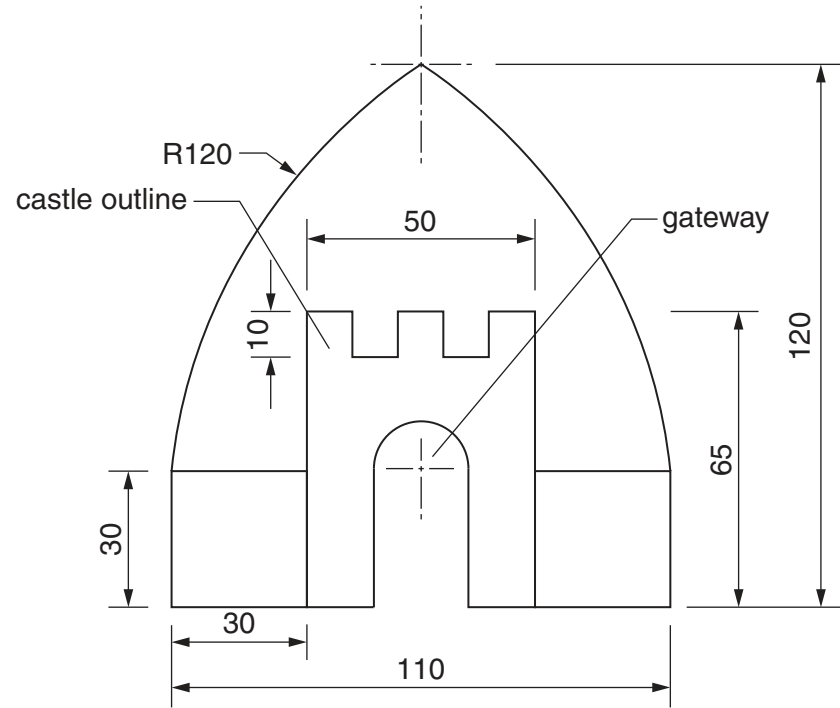


**Section A**

Answer **all** questions in this section.

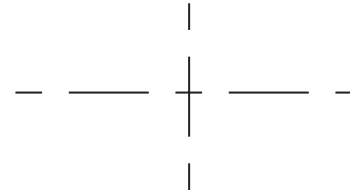
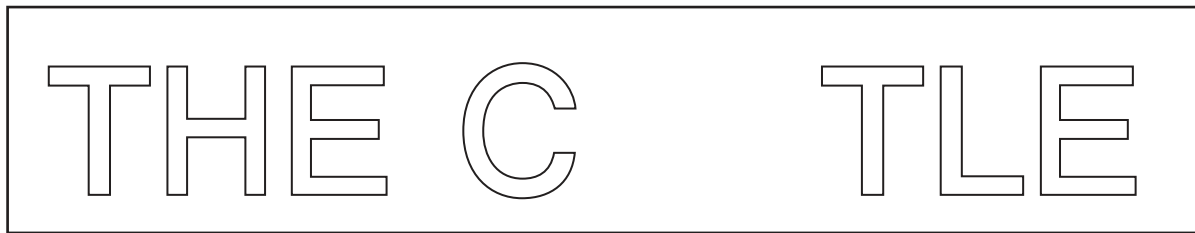
An indoor play area for young children is called 'THE CASTLE'. Its logo is made up from geometrical shapes as shown below.



**A1** Complete the full size drawing of the logo on the right by drawing:

- (a) the castle outline; [4]
- (b) the gateway with a semi-circular top  $\varnothing 20$ ; [2]
- (c) the two side walls 30 square; [2]
- (d) the two R120 arcs completing the logo. [3]

**A2** Complete the signboard for THE CASTLE by adding the **two** missing letters. Both letters must be to the same height and style as those given. [4]



For  
Examiner's  
use

**0445/21** May/June 2014 **1 hour**  
© UCLES 2014 DC (AC/CGW) 79855/3

Centre Number .....

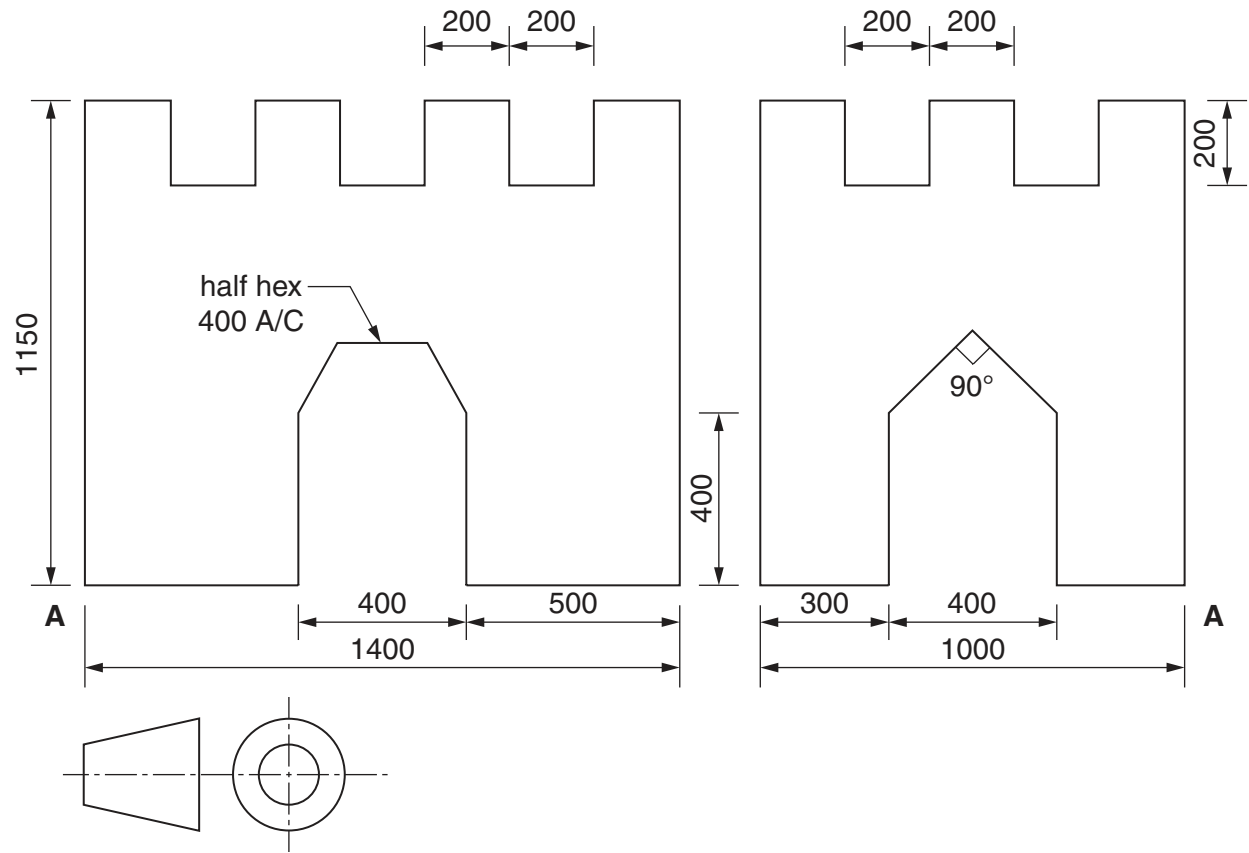
Candidate's Number .....

Candidate's Surname .....

Other Names .....

**[Turn over**

**A3** The play area has castles made from card. Orthographic views of one of the castles are shown below.



Draw, in the space provided below, an estimated two-point perspective view of the play castle to a scale of 1:10.

Ignore the thickness of the card.

Corner **A** and the two vanishing points have been given.

[10]

