

CANDIDATE
NAME

CENTRE
NUMBER

--	--	--	--	--

CANDIDATE
NUMBER

--	--	--	--

* 3 5 8 4 3 1 6 2 9 5 *



CHEMISTRY

0620/32

Paper 3 (Extended)

February/March 2015

1 hour 15 minutes

Candidates answer on the Question Paper.

No Additional Materials are required.

READ THESE INSTRUCTIONS FIRST

Write your Centre number, candidate number and name on all the work you hand in.

Write in dark blue or black pen.

You may use an HB pencil for any diagrams or graphs.

Do not use staples, paper clips, glue or correction fluid.

DO **NOT** WRITE IN ANY BARCODES.

Answer **all** questions.

Electronic calculators may be used.

A copy of the Periodic Table is printed on page 12.

You may lose marks if you do not show your working or if you do not use appropriate units.

At the end of the examination, fasten all your work securely together.

The number of marks is given in brackets [] at the end of each question or part question.

The syllabus is approved for use in England, Wales and Northern Ireland as a Cambridge International Level 1/Level 2 Certificate.

This document consists of **11** printed pages and **1** blank page.

1 For each of the following, give the name of an element from Period 3 (sodium to argon), which matches the description.

(a) an element which is gaseous at room temperature and pressure

..... [1]

(b) an element that is added to water to kill bacteria

..... [1]

(c) an element that forms a basic oxide of the type XO

..... [1]

(d) an element used as an inert atmosphere in lamps

..... [1]

(e) an element that forms an amphoteric oxide

..... [1]

(f) an element that reacts vigorously with cold water to produce hydrogen

..... [1]

[Total: 6]

2 (a) Define the term *isotope*.

.....

..... [2]

(b) The table gives information about four particles, **A**, **B**, **C** and **D**.

Complete the table.

The first line has been done for you.

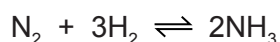
particle	number of protons	number of electrons	number of neutrons	nucleon number	symbol or formula
A	6	6	6	12	C
B	11	10	12		
C	8		8		O ²⁻
D		10		28	Al ³⁺

[7]

[Total: 9]

- 3 Ammonia is manufactured by the Haber process. Nitrogen and hydrogen are passed over a catalyst at a temperature of 450 °C and a pressure of 200 atmospheres.

The equation for the reaction is as follows.



The forward reaction is exothermic.

- (a) State **one** use of ammonia.

..... [1]

- (b) What is the meaning of the symbol \rightleftharpoons ?

..... [1]

- (c) What are the sources of nitrogen and hydrogen used in the Haber process?

nitrogen

hydrogen

[2]

- (d) Name the catalyst in the Haber process.

..... [1]

- (e) (i) If a temperature higher than 450 °C was used in the Haber process, what would happen to the **rate** of the reaction? Give a reason for your answer.

.....

.....

..... [2]

- (ii) If a temperature higher than 450 °C was used in the Haber process, what would happen to the **yield** of ammonia? Give a reason for your answer.

.....

.....

..... [2]

- (f) (i) If a pressure higher than 200 atmospheres was used in the Haber process, what would happen to the **yield** of ammonia? Give a reason for your answer.

.....

 [2]

- (ii) Explain why the rate of reaction would be faster if the pressure was greater than 200 atmospheres.

.....
 [1]

- (iii) Suggest **one** reason why a pressure higher than 200 atmospheres is not used in the Haber process.

.....
 [1]

- (g) Draw a dot-and-cross diagram to show the arrangement of the outer (valency) electrons in one molecule of ammonia.

[2]

- (h) Ammonia acts as a base when it reacts with sulfuric acid.

- (i) What is a base?

..... [1]

- (ii) Write a balanced equation for the reaction between ammonia and sulfuric acid.

..... [2]

[Total: 18]

4 (a) A compound **X** contains 82.76% of carbon by mass and 17.24% of hydrogen by mass.

(i) Calculate the empirical formula of compound **X**.

[2]

(ii) Compound **X** has a relative molecular mass of 58.

Deduce the molecular formula of compound **X**.

[2]

(b) Alkenes are unsaturated hydrocarbons.

(i) State the general formula of alkenes.

..... [1]

(ii) State the empirical formula of alkenes.

..... [1]

(c) What is meant by the term *unsaturated hydrocarbon*?

unsaturated

.....

hydrocarbon

.....

[2]

(d) Describe a test that would distinguish between saturated and unsaturated hydrocarbons.

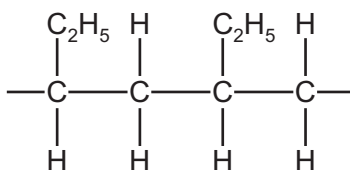
reagent

observation (saturated hydrocarbon)

observation (unsaturated hydrocarbon)

[3]

(e) Addition polymers can be made from alkenes. The diagram shows part of an addition polymer.



(i) Draw a circle on the diagram to show one repeat unit in this polymer. [1]

(ii) Give the structure and the name of the monomer used to make this polymer.

structure

name

[2]

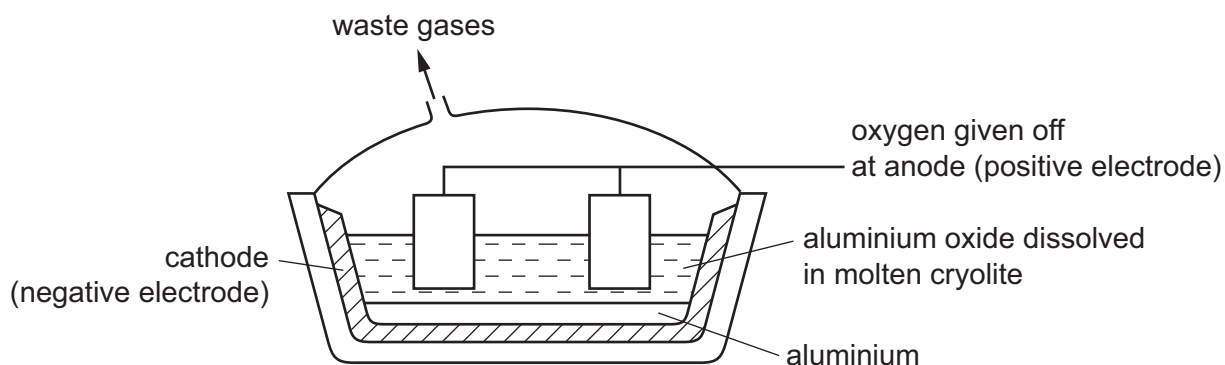
(iii) Give the structure of an isomer of the alkene in (e)(ii).

[1]

[Total: 15]

- 5 Aluminium and iron are extracted from their ores by different methods.

Aluminium is extracted from its purified oxide ore by electrolysis.



- (a) What is the name of the ore of aluminium which consists mainly of aluminium oxide?

..... [1]

- (b) The electrodes are both made of the same substance.

Name this substance.

..... [1]

- (c) Aluminium oxide is dissolved in molten cryolite before it is electrolysed.

Give **two** reasons why aluminium oxide dissolved in molten cryolite is electrolysed rather than molten aluminium oxide alone.

.....
 [2]

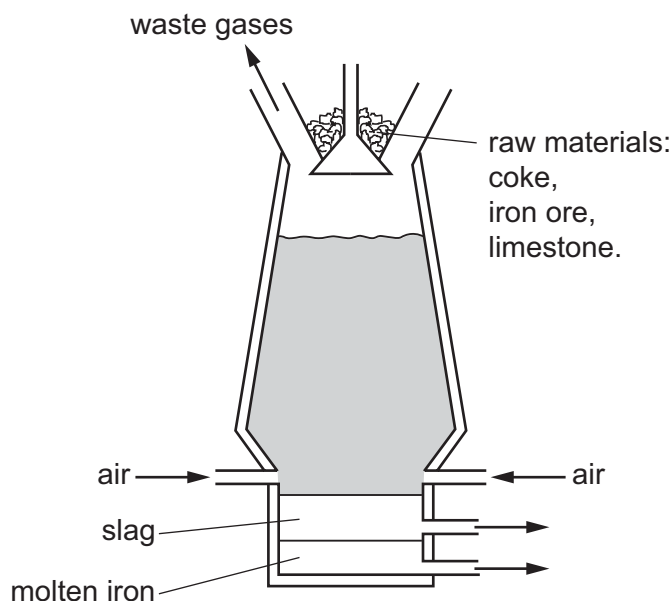
- (d) Write the **ionic** equations for the reactions at the electrodes in this electrolysis.

anode (positive electrode)

cathode (negative electrode)

[2]

(e) Iron is extracted from its oxide ore by reduction using carbon in a blast furnace.



(i) Place the elements aluminium, carbon and iron in order of reactivity with the **least** reactive element first.

..... [1]

(ii) Use your answer to (e)(i) to explain why iron is extracted by reduction using carbon but aluminium is not.

.....
 [1]

(f) What is the name of the ore of iron which consists mainly of iron(III) oxide?

..... [1]

(g) Write balanced equations for the reactions occurring in the blast furnace which involve

(i) the complete combustion of coke (carbon),

..... [1]

(ii) the production of carbon monoxide from carbon dioxide,

..... [1]

(iii) the reduction of iron(III) oxide,

..... [1]

(iv) the formation of slag.

..... [1]

[Total: 13]

- 6 A student is told to produce the maximum amount of copper from a mixture of copper and copper(II) carbonate.

The student adds the mixture to an excess of dilute sulfuric acid in a beaker and stirs the mixture with a glass rod. The copper(II) carbonate reacts with the sulfuric acid, forming a solution of copper(II) sulfate but the copper does not react with the sulfuric acid.

The student then

- removes the unreacted copper from the mixture,
- converts the solution of copper(II) sulfate into copper by a series of reactions.

- (a) Describe **two** things that the student would observe when the mixture is added to the dilute sulfuric acid.

.....
 [2]

- (b) Describe how the student can produce pure dry copper from the mixture of copper and copper(II) sulfate solution.

.....

 [3]

- (c) The student then adds sodium hydroxide solution to the copper(II) sulfate solution to produce copper(II) hydroxide.

- (i) Describe what the student would observe.

..... [1]

- (ii) Write an **ionic** equation for this reaction.

..... [1]

- (d) After separating the copper(II) hydroxide from the mixture, the copper(II) hydroxide is heated strongly. The copper(II) hydroxide decomposes into copper(II) oxide and steam.

- (i) Write an equation for the decomposition of copper(II) hydroxide. Include state symbols.

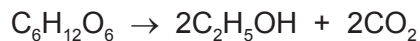
..... [2]

- (ii) Name a non-metallic element that can be used to convert copper(II) oxide into copper.

..... [1]

[Total: 10]

- 7 Ethanol is manufactured from glucose, $C_6H_{12}O_6$, by fermentation according to the following equation.



- (a) State the conditions required for this reaction.

.....
 [2]

- (b) In an experiment, 30.0g of glucose was fermented.

- (i) Calculate the number of moles of glucose in 30.0g.

..... mol [2]

- (ii) Calculate the maximum mass of ethanol that could be obtained from 30.0g of glucose.

..... g [2]

- (iii) Calculate the volume of carbon dioxide at room temperature and pressure that can be obtained from 30.0g of glucose.

..... dm^3 [1]

- (c) Ethanol can also be manufactured from ethene.

- (i) Name the raw material which is the source of ethene.

..... [1]

- (ii) Write a balanced equation for the manufacture of ethanol from ethene.

..... [1]

[Total: 9]

DATA SHEET
The Periodic Table of the Elements

		Group																		
I	II	III	IV	V	VI	VII	0													
7 Li Lithium 3	9 Be Beryllium 4	1 H Hydrogen 1	11 B Boron 5	12 C Carbon 6	14 N Nitrogen 7	16 O Oxygen 8	19 F Fluorine 9	20 Ne Neon 10												
23 Na Sodium 11	24 Mg Magnesium 12	27 Al Aluminium 13	28 Si Silicon 14	31 P Phosphorus 15	32 S Sulfur 16	35.5 Cl Chlorine 17	40 Ar Argon 18													
39 K Potassium 19	40 Ca Calcium 20	45 Sc Scandium 21	48 Ti Titanium 22	51 V Vanadium 23	52 Cr Chromium 24	55 Mn Manganese 25	56 Fe Iron 26	59 Co Cobalt 27	59 Ni Nickel 28	64 Cu Copper 29	65 Zn Zinc 30	70 Ga Gallium 31	73 Ge Germanium 32	75 As Arsenic 33	79 Se Selenium 34	80 Br Bromine 35	84 Kr Krypton 36			
85 Rb Rubidium 37	88 Sr Strontium 38	89 Y Yttrium 39	91 Zr Zirconium 40	93 Nb Niobium 41	96 Mo Molybdenum 42	101 Ru Ruthenium 44	101 Rh Rhodium 45	103 Pd Palladium 46	106 Ag Silver 47	108 Cd Cadmium 48	112 In Indium 49	115 Sn Tin 50	119 Sb Antimony 51	122 Te Tellurium 52	127 I Iodine 53	131 Xe Xenon 54				
133 Cs Caesium 55	137 Ba Barium 56	139 La Lanthanum 57	178 Hf Hafnium * 72	181 Ta Tantalum 73	184 W Tungsten 74	186 Re Rhenium 75	190 Os Osmium 76	192 Ir Iridium 77	195 Pt Platinum 78	197 Au Gold 79	201 Hg Mercury 80	204 Tl Thallium 81	207 Pb Lead 82	209 Bi Bismuth 83	210 Po Polonium 84	210 At Astatine 85	210 Rn Radon 86			
87 Fr Francium	88 Ra Radium	89 Ac Actinium †																		
				140 Ce Cerium 58	141 Pr Praseodymium 59	144 Nd Neodymium 60	147 Pm Promethium 61	150 Sm Samarium 62	152 Eu Europium 63	157 Gd Gadolinium 64	159 Tb Terbium 65	162 Dy Dysprosium 66	165 Ho Holmium 67	167 Er Erbium 68	169 Tm Thulium 69	173 Yb Ytterbium 70	175 Lu Lutetium 71			
				232 Th Thorium 90	232 Pa Protactinium 91	238 U Uranium 92	238 Np Neptunium 93	244 Pu Plutonium 94	244 Am Americium 95	244 Cm Curium 96	247 Bk Berkelium 97	247 Cf Californium 98	251 Es Einsteinium 99	252 Fm Fermium 100	257 Md Mendelevium 101	258 No Nobelium 102	259 Lr Lawrencium 103			

*58-71 Lanthanoid series
†90-103 Actinoid series

Key

a	X
b	

a = relative atomic mass
X = atomic symbol
b = proton (atomic) number

The volume of one mole of any gas is 24 dm³ at room temperature and pressure (r.t.p.).