

CANDIDATE
NAME

--

CENTRE
NUMBER

--	--	--	--	--

CANDIDATE
NUMBER

--	--	--	--



COMPUTING

9691/23

Paper 2

October/November 2015

2 hours

Candidates answer on the Question Paper.

No additional materials are required.

READ THESE INSTRUCTIONS FIRST

Write your Centre number, candidate number and name on all the work you hand in.

Write in dark blue or black pen.

You may use an HB pencil for any diagrams, graphs or rough working.

Do not use staples, paper clips, glue or correction fluid.

DO NOT WRITE IN ANY BARCODES.

Answer **all** questions.

At the end of the examination, fasten all your work securely together.

The number of marks is given in brackets [] at the end of each question or part question.

This document consists of **12** printed pages.

(d) Ravi has entered some course data. His program saved the array records to a serial file `CourseData.DAT`. Only those array elements containing entered course details were saved to the file.

A program is to be written to read the data from `CourseData.DAT` into consecutive locations of the array `Course`.

(i) Explain what the function `EOF()` does when used in a program.

.....
.....
.....
.....[2]

Ravi wants to write another module in his program. The new module will:

- read data from `CourseData.DAT`
- write these data into consecutive elements of the array `Course`

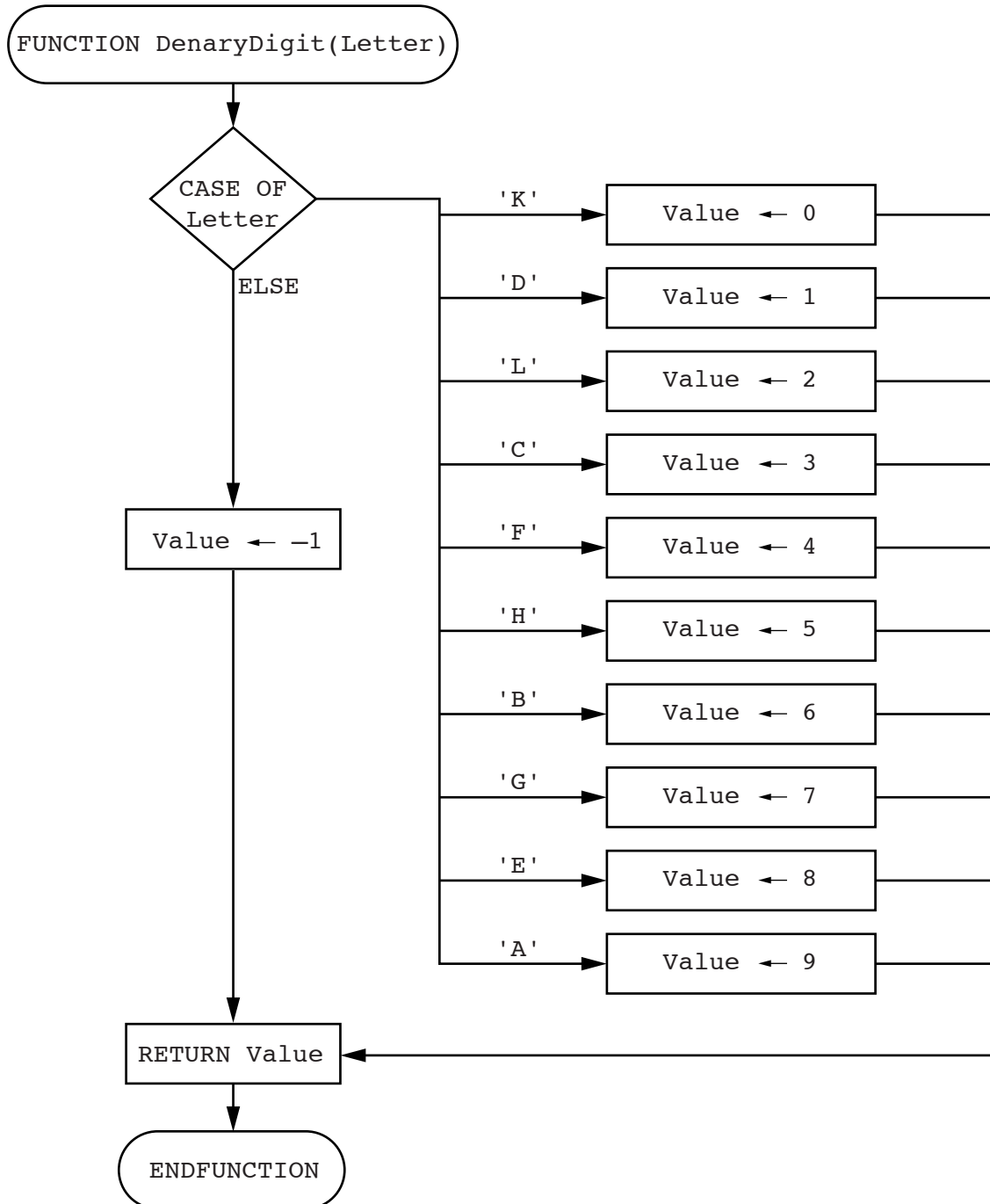
(ii) Write **pseudocode** to read the data from the file `CourseData.DAT` into the array `Course`.

.....
.....
.....
.....
.....
.....
.....
.....
.....
.....
.....
.....
.....
.....
.....
.....
.....[6]

- 2 Alia received a number coded as a sequence of letters. She wants to write a program to change this sequence of letters back to the original number. She knows that each digit of the original number was replaced by exactly one letter. The letters used are shown in the flowchart below.

She has drawn the flowchart as part of the design for her solution.

The function `DenaryDigit(Letter)` returns an integer.



(b) Alia writes pseudocode to convert a coded number using

- the function DenaryDigit() from part (a)
- the string manipulation functions MID() and LENGTH()

Study the pseudocode:

```

01 PROCEDURE ConvertToDenary(CodedNumber : STRING)
02
03     Denary ← 0
04
05     FOR i ← 1 TO LENGTH(CodedNumber)
06         ThisChar ← MID(CodedNumber, i, 1)
07         ThisNumber ← DenaryDigit(ThisChar)
08         Denary ← Denary + (ThisNumber * 10)
09     ENDFOR
10
11     OUTPUT Denary
12 ENDPROCEDURE
    
```

(i) Dry-run the procedure call ConvertToDenary("LED") by completing the trace table .

CodedNumber	Denary	i	ThisChar	ThisNumber	OUTPUT
"LED"	0				

[5]

(ii) The denary value of the coded number LED is 281. There is an error in the pseudocode above.

Give the line number of the statement that needs correcting.

.....

Write the corrected statement.

.....

.....[2]

(iii) State the type of error Alia made in her pseudocode.

.....[1]

(iv) There are **two** other types of error that can occur when writing or executing program code.

Name each type of error and describe when and how it is detected.

Error type 1

When

.....

How

.....

Error type 2

When

.....

How

.....[6]

(c) (i) The pseudocode in **part (b)** has some features that make it easier to read and understand.

State **three** such features.

1

.....

2

.....

3

.....[3]

(ii) State **one** other feature Alia could have used to help the understanding of this code.

.....[1]

3 Ravi and Alia want to use debugging tools available in their program development environments.

(a) Explain how each of the following are used:

(i) Breakpoint

.....
.....
.....
.....[2]

(ii) Stepping

.....
.....
.....
.....[2]

(iii) Variable check/watch

.....
.....
.....
.....[2]

(b) Name the type of testing that is performed with such debugging tools.

.....[1]

Permission to reproduce items where third-party owned material protected by copyright is included has been sought and cleared where possible. Every reasonable effort has been made by the publisher (UCLES) to trace copyright holders, but if any items requiring clearance have unwittingly been included, the publisher will be pleased to make amends at the earliest possible opportunity.

To avoid the issue of disclosure of answer-related information to candidates, all copyright acknowledgements are reproduced online in the Cambridge International Examinations Copyright Acknowledgements Booklet. This is produced for each series of examinations and is freely available to download at www.cie.org.uk after the live examination series.

Cambridge International Examinations is part of the Cambridge Assessment Group. Cambridge Assessment is the brand name of University of Cambridge Local Examinations Syndicate (UCLES), which is itself a department of the University of Cambridge.